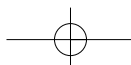




FUSE MATERIAL

CONTENTS

FUSE DISCONNECTORS FOR CYLINDRICAL FUSE-LINKS	Page 140
PANEL-MOUNTING FUSE BASE	Page 142
FUSE LOADBREAK DISCONNECTORS CORON.....	Page 144
FUSE LOADBREAK DISCONNECTORS TYTAN-II	Page 145
HRC FUSE ELEMENTS	Page 147
60mm BUSBAR SYSTEM	Page 153
185mm BUSBAR SYSTEM	Page 161



FUSE DISCONNECTORS FOR CYLINDRICAL FUSE-LINKS

FUSE DISCONNECTORS 10x38 UP TO 32A



IS506101



IS506103

SCHRACK-INFO

- Rated voltage: 690 V AC
- Rated current: 32 A
- Utilization category: AC-22B
- Cage clamps (max. mm²): 25 mm²
- According to EN 60947-3

DESCRIPTION	FOR FUSE	DIM (WxHxD) mm	ORDER NO.
Fuse Carrier 1P	10x38	17,5x81x64,5	IS506101
Fuse Carrier 3P	10x38	52,5x81x64,5	IS506103

FUSE DISCONNECTORS 10x38mm

DESCRIPTION	FOR FUSE	CURRENT	ORDER NO.
Fuse-link	10x38	0,5A	ISZ100005
Fuse-link	10x38	1A	ISZ10001
Fuse-link	10x38	2A	ISZ10002
Fuse-link	10x38	4A	ISZ10004
Fuse-link	10x38	6A	ISZ10006
Fuse-link	10x38	8A	ISZ10008
Fuse-link	10x38	10A	ISZ10010
Fuse-link	10x38	12A	ISZ10012
Fuse-link	10x38	16A	ISZ10016
Fuse-link	10x38	20A	ISZ10020
Fuse-link	10x38	25A	ISZ10025
Fuse-link	10x38	32A	ISZ10032

FUSE DISCONNECTORS 14x51 UP TO 50A



IS506141

SCHRACK-INFO

- Rated voltage: 690 V AC
- Rated current: 50 A
- Utilization category: AC-22B
- Cage clamps (max. mm²): 35 mm²
- According to EN 60947-3

DESCRIPTION	FOR FUSE	DIM (WxHxD) mm	ORDER NO.
Fuse Carrier 1P	14x51	27x90x76,8	IS506141
Fuse Carrier 3P	14x51	81x90x76,8	IS506143

FUSE DISCONNECTORS FOR CYLINDRICAL FUSE-LINKS

■ CYLINDRICAL FUSE-LINKS 14x51 mm

DESCRIPTION	FOR FUSE	CURRENT	ORDER NO.
Fuse-link	14x51	2A	ISZ14002
Fuse-link	14x51	4A	ISZ14004
Fuse-link	14x51	6A	ISZ14006
Fuse-link	14x51	8A	ISZ14008
Fuse-link	14x51	10A	ISZ14010
Fuse-link	14x51	12A	ISZ14012
Fuse-link	14x51	16A	ISZ14016
Fuse-link	14x51	20A	ISZ14020
Fuse-link	14x51	25A	ISZ14025
Fuse-link	14x51	32A	ISZ14032
Fuse-link	14x51	40A	ISZ14040
Fuse-link	14x51	50A	ISZ14050

■ FUSE DISCONNECTORS 22x58 UP TO 100A



IS506223

■ SCHRACK-INFO

- Rated voltage: 690 V AC
- Rated current: 100 A
- Utilization category: AC-21B
- Cage clamps (max. mm²): 50 mm²
- According to EN 60947-3

DESCRIPTION	FOR FUSE	DIM (WxHxD) mm	ORDER NO.
Fuse Carrier 1P	22x58	35,6x116,8x76,8	IS506221
Fuse Carrier 3P	22x58	106,8x116,8x76,8	IS506223

■ CYLINDRICAL FUSE-LINKS 14x51 mm

DESCRIPTION	FOR FUSE	CURRENT	ORDER NO.
Fuse-link	22x58	16A	ISZ22016
Fuse-link	22x58	20A	ISZ22020
Fuse-link	22x58	25A	ISZ22025
Fuse-link	22x58	32A	ISZ22032
Fuse-link	22x58	40A	ISZ22040
Fuse-link	22x58	50A	ISZ22050
Fuse-link	22x58	63A	ISZ22063
Fuse-link	22x58	80A	ISZ22080
Fuse-link	22x58	100A	ISZ22100

PANEL-MOUNTING FUSE BASE

NEOZED FUSE BASE UP TO 63 A



IS504321

SCHRACK-INFO

- DIN 49524, 1-3-pole
- With snap-on mounting, division 27 mm
- Including cover
- 400 V AC/250 V DC
- D01 to 16 A, D02 to 63 A
- HRC fuse DIN 49522
- Sleeve adjusting inserts/links DIN 49523
- D01 two-sided box terminal (1.5-25 mm²), Md 4 Nm
- D02 two-sided box terminal (1,5-35 mm²), Md 4 Nm

DESCRIPTION/RATED CURRENT	DIM. (WxHxD) mm	ORDER NO.
D02/E 18/3-pole with cover/63 A	80.4x60x72	IS504321
D02/E 18/1-pole with cover/63 A	27x60x72	IS504311
D02/E 18/3-pole with cover/63 A	81x60x72	IS504463
Cover for IS 504313	-	IS504223
D03/M 30x2/1-pole with cover/100 A	44x50x46	IS504313
Screw cap D02	-	SI310060
Screw cap D03	-	IS504002

ARROW – FUSE – ON



ISF53000

SCHRACK-INFO

- Switchable D02 fuse base, single-pole up to 63 A
- No screw cap, but a connector secured against loosening
- Release via push button
- Captive adjusting/gauge ring insert

DESCRIPTION	DIM. (WxHxD) mm	ORDER NO.
Switchable fuse D02	27x65x85	ISF53000
Switchable fuse D02 with LED	27x65x85	ISF53001

PANEL-MOUNTING FUSE BASE

NEOZED MELT INSERTS / FUSES D0, ADJUSTING SLEEVES AND ACCESSORIES



ISF540000

SCHRACK-INFO

- Classification: Fuse system according to DIN VDE 0106
- Size: D01, D02
- Operating categories: gL-gG
- Rated current I_n : 2-63 A
- Rated voltage U_n : 250 V DC, 400 V AC
- Rated frequency: 45 -62 Hz
- Rated insulation voltage U_i : 2500 V
- Rated short circuit switching capacity: 50 kA (AC), 8 kA (DC)

CERTIFICATIONS

DIN VDE 0636 Part 1, 10, 41, IEC 269-3, IEC 269-4

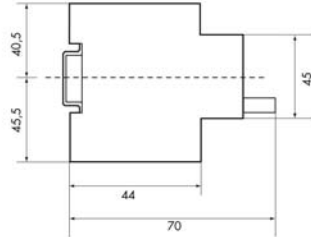
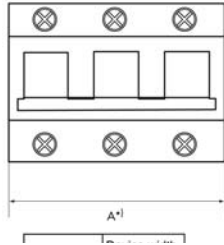
DESCRIPTION/RATED CURRENT	DIM. (WxHxD) mm	ORDER NO.
MELT INSERTS / FUSES		
D 01 melt insert/2 A	11x36	IS504030
D 01 melt insert/4 A	11x36	IS504031
D 01 melt insert/6 A	11x36	IS504032
D 01 melt insert/10 A	11x36	IS504033
D 01 melt insert/16 A	11x36	IS504034
D 02 melt insert/20 A	15x36	IS504035
D 02 melt insert/25 A	15x36	IS504036
D 02 melt insert/35 A	15x36	IS504037
D 02 melt insert/50 A	15x36	IS504038
D 02 melt insert/63 A	15x36	IS504039
D 03 melt insert/80 A	22x43	IS504040
D 03 melt insert/100 A	22x43	IS504041
ADJUSTING SLEEVES		
D 01 adjusting sleeves/2 A	12x10	IS504130
D 01 adjusting sleeves/4 A	12x10	IS504131
D 01 adjusting sleeves/6 A	12x10	IS504132
D 01 adjusting sleeves/10 A	12x10	IS504133
D 02 adjusting sleeve - D01 in D02/2 A	16x10	IS504141
D 02 adjusting sleeve - D01 in D02/4 A	16x10	IS504142
D 02 adjusting sleeve - D01 in D02/6 A	16x10	IS504143
D 02 adjusting sleeve - D01 in D02/10 A	16x10	IS504144
D 02 adjusting sleeve/16 A	16x10	IS504145
D 02 adjusting sleeve/20 A	16x10	IS504134
D 02 adjusting sleeve/25 A	16x10	IS504135
D 02 adjusting sleeve/35 A	16x10	IS504136
D 02 adjusting sleeve/50 A	16x10	IS504137
D 03 adjusting sleeve/80 A	27x10	IS504138
ACCESSORIES		
1 pole neozed pin-type busbar 16 mm ² /27 space unit	L=981	BS900133
Retaining spring	D01 in D02	IS504140
Set screw key D01-D03	-	IS504550
Screw cap plastic, D 01, E 14/16 A	26x29	SI310050
Screw cap plastic D 02, E 18/63 A	22,5x29,5	SI310060
Screw cap neozed D03	M 32	IS504002

FUSE LOADBREAK DISCONNECTORS CORON

DO FUSE LOADBREAK DISCONNECTORS CORON 2



IS503103



	Device width in mm
Number of poles	A
single pole	27
double-pole	54
three-pole	81

SCHRACK-INFO

- Number of poles: 1, 2 and 3-pole
- Suitable for fuses D01: 2, 4, 6, 10, 16, 20, 25 A
D02: 20, 25, 35, 50, 63 A
- Ambient operating temperature:
 - Storage -50 °C up to +100 °C
 - Operation -25 °C up to +60 °C
- Temperature of the reception/receiver for the plug insert/connector link max +190° C
- Insulated parts plastic - halogen and phosphorous-free
- Fire classification: V0, glow wire test 960 °C
- Non-tracking quality: CTI 600
- Degree of protection: IP 20
- Protection against accidental contact: finger and hand touch safe
- Connection technique Stainless steel cage terminal

CERTIFICATIONS

DIN VDE 0638, DIN VDE 0660, DIN VDE 60947

SPECIAL FEATURES

- Possible to lock down with commercial padlock
- Reliable fault signalisation using alarm flasher
- Instant restarting option through reserved magazine
- Easy handling using plugging technique without screw cap,

EXTENDED TECHNICAL DATA

- Rated operating voltage U_e :
 - AC 400 V
 - DC to 110 V 1-pole / to 220 V 2-pole
- Rated operating current I_e : 63 A
- Rated continuous current I_u : 63 A
- Excess voltage category: IV
- Degree of contamination: 3 (DIN VDE 0110)
- Rated surge voltage protection U_{imp} : 4000V
- Rated special voltage: 440 AC only while using Si links 440 V
- Current heat losses per current track at I_e : 0.5 W
- Max. heating at I_u and room temperature: approx. 25 °C / handling fuse plug approx. 30 °C
- Clampable fixed cross-sections: 1.5 mm -35 mm
- Locking torque MD: max 4.5 Nm
- Rated short circuit switching capacity I_{cm} : 50 kAeff
- Switch category: AC 21 B

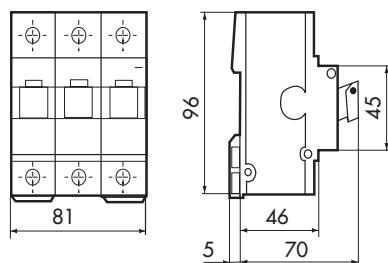
DESCRIPTION	ORDER NO.
1-pole	IS503101
3-pole	IS503103
3-pole, 20 A with fix adjusting sleeve	IS503320
3-pole, 25 A with fix adjusting sleeve	IS503325
3-pole, 35 A with fix adjusting sleeve	IS503335

FUSE LOADBREAK DISCONNECTORS TYTAN-II

D0 FUSE LOADBREAK DISCONNECTORS TYTAN II



IS504702



SCHRACK-INFO

- Up to 63 A, 400 V AC, AC 22
- Switching capacity 50 kA
- Snap-on mounting, serially installable, 35 mm² Lift terminals/blocks
- Without fuse plug without set screw, without fuse
- Lead sealing possible in switched-on and switched-off condition

DESCRIPTION	DIM. (WxHxD) mm	ORDER NO.
1-pole	27x96x75	IS504700-A
3-pole	80,5x96x75	IS504702-A
3-pole, fixed insert, 25 A	81x96x75	IS509325
3-pole, fixed insert, 35 A	81x96x75	IS509335
1-pole + N	54x96x75	IS504703-A
3-pole + N	108x96x75	IS504704-A

FUSE PLUG



IS504715

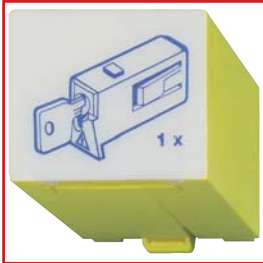
SCHRACK-INFO

- With alarm flasher
- In the plugging principle, without screw caps, with contact-voltage protection set screw, art.D0 fuse, complete (1 set = 3 pcs) in installation box
- 32 A and 40 A are also available

RATED CURRENT	DIM. (WxHxD) mm	ORDER NO.
2 A	54x45x75	IS504710-A
4 A	54x45x75	IS504711-A
6 A	54x45x75	IS504712-A
10 A	54x45x75	IS504713-A
16 A	54x45x75	IS504714-A
20 A	54x45x75	IS504715-A
25 A	54x45x75	IS504716-A
35 A	54x45x75	IS504717-A
50 A	54x45x75	IS504718-A
63 A	54x45x75	IS504719-A
Connection bridge	54x45x75	IS504725
Empty box	54x45x75	IS504741

FUSE LOADBREAK DISCONNECTORS TYTAN-II

RESTART LOCK



IS504720

DESCRIPTION	DIM. (WxHxD) mm	ORDER NO.
With installation box, plastic lock	54x45x75	IS504721

CONNECTIONTERMINALS AND THREE-PHASE CURRENT BUSBARS



IS504722

DESCRIPTION	ORDER NO.
Feed terminal 95 mm ² , 1-pole pin-type connection, long	IS504724
3-pole, 3 x 2 x 35 mm ² , connections 35 mm ²	IS504722
3-pole Tytan busbar 30 mm ² /27mm ²	BS900143
3-pole busbar 16 mm ² /27mm ²	BS900134

HRC FUSE ELEMENTS

LOADBREAK DISCONNECTORS 1-POLE / 2-POLE / 3-POLE / 4-POLE – GENERAL INFORMATIONS



IS505221



IS505228



IS505227



IS505229

SCHRACK-INFO

- For ranges of application according to ÖNORM 6020 and DIN 43.620
- Easy cover lead-sealing
- Switch cover dump
- Halogen-free, non-inflammable plastics
- Three standard connection variants
- Offset ventilation slot
- Fully isolated, contact-voltage safe
- Safe voltage check
- Functions
 - SAFETY (with inserted HRC fuses)
 - Of lines against overload and short circuit
 - Of persons and animals against dangerous contact and pace voltages
 - Selective disconnection of faulty system parts
 - Device safety
 - Safe shut down
 - ISOLATION
 - Visible large isoation stretch
 - SWITCHING
 - Safe shwitch on for short circuit (with NH HRC fuses)
 - Load switching capacity (AC 23, DC 23)

CERTIFICATIONS

EN/IEC-SN40, IEC 408, VDE 0636, VDE 0660, SEV 1089-1.1983

HRC FUSE ELEMENTS

ARROW BLOC HRC FUSE LOADBREAK DISCONNECTORS SIZE 00 TO 160 A, SURFACE MOUNTING



IS505224



IS505221

SCHRACK-INFO

- Technical data according to IEC 947 / EN 60947
- Size 00; 1 to 4-pole
- Conventional thermic current with HRC Ith: 160 A continuous operation
- Rated operating voltage: 400 VAC 500 VAC 690 VAC 440 VDC
- Rated operating current: 160 A 160 A 125 A 160 A
- Usage category: AC 23B AC22B AC21B DC22B
- Rated isolation voltage: 1000 V
- Surge voltage: 8 kV
- Frequency: 50 - 60 Hz
- Standard connection: M8; Cu-max.B.: 20 mm; max 2x70 mm² Cu or 2x95 mm² AL
- Power loss without HRC: 2,5 W / pole
- Ambient temperature T_u: -25° C to +55° C
- Degree of protection IP 20

DESCRIPTION	DIM. (WxHxD) mm	ORDER NO.
1-pole Size 00 - 160 A, M8	41x184x84	IS505224
2-pole Size 00 - 160 A, M8	82x184x84	IS505220
3-pole Size 00 - 160 A, clip/fitting	106x184x84	IS505221
3-pole Size 00 - 160 A, M8	106x184x84	IS505222
3-pole Size 00 - 160 A, M8 + fuse monitoring	106x184x151	IS505262
4-pole Size 00 - 160 A, M8	147x184x84	IS505225

ARROW BLOC-HRC SIZE 00 FUSE LOADBREAK DISCONNECTORS ACCESSORIES

DESCRIPTION	ORDER NO.
Signal switch for switch position 1 p, 2 p and 4-pole	IS505744
Signal switch for switch position 3 p	IS505735
Terminal Al/Cu 1.5 - 70 mm ² rm or 95 mm ² se, 1Set=3Pcs.	IS505335
Single Clips Set for Isolator Sz. 00	IS505300
Window block, 1Set=3Pcs.	IS505736
Lead sealing set	IS505737

HRC FUSE ELEMENTS

ARROW BLOC HRC FUSE LOADBREAK DISCONNECTORS SIZE 1 TO 3, SURFACE MOUNTING



IS505059



IS505227

SCHRACK-INFO

- Technical data according to IEC 947 / EN 60947
- Size 1: 1 to 4-pole, size 2 and 3: 3-pole
- Degree of protection IP 20

TECHNICAL DATA

- Rated operating voltage: 400 VAC 500 VAC 690 VAC 440 VDC
- Rated operating current Size 1: 250 A 250 A 200 A 250 A 50 kA
- Rated operating current Size 2: 400 A 400 A 315 A 400 A 80 kA
- Rated operating current Size 3: 630 A 630 A 500 A - 80 kA
- Usage category: AC 23B AC22B AC21B DC21B
- Rated isolation voltage: 1000 V
- Rated surge voltage: 12 kV
- Nominal frequency Size 1: 50 - 60 Hz; Size 2 and 3: 45 -62 Hz
- Standard connection Size 1 and 2: M10; Cu-max.B.: 18 mm; max 2x150 mm² Cu bzw. 2x185 mm² AL
- Standard connection Size 3: M12; Cu-max.B.: 24 mm; max 2x185 mm² Cu and 2x240 mm² AL
- Power loss without HRC1: 4 W / Pole, Size 2 and 3: max. 48 W per device
- Ambient temperature T_v: -25° C to +55° C

DESCRIPTION	DIM. (WxHxD) mm	ORDER NO.
1-pole Size 1 - 250 A, M 10	71x238x110,55	IS505227
2-pole Size 1 - 250 A, M 10	142x238x110,5	IS505228
3-pole Size 1 - 250 A, M 10	185x238x110,5	IS505226
3-pole Size 1 - 250 A, M 10 + fuse monitoring	185x238x187	IS505266
4-pole Size 1 - 250 A, M 10	256x238x110,5	IS505229
3-pole Size 2 - 400 A, M 10	205x259x156	IS505250
3-pole Size 2 - 400 A, M 10 + fuse monitoring	205x259x207	IS505255
3-pole Size 3 - 630 A, M 12	256x270x246	IS505295

ARROW BLOC-HRC SIZE 1 TO 3 FUSE LOADBREAK DISCONNECTORS - ACCESSORIES

DESCRIPTION	ORDER NO.
Window block, 1set=3pcs	IS505736
Lead sealing set	IS505737
Adapter 1ST8 Size 1 for 100 mm busbar system	IS505881
Adapter 2ST8 Size 2 for 100 mm busbar system	IS505882
Adapter 3ST8 Size 3 for 100 mm busbar system	IS505883

HRC FUSE ELEMENTS

FUSE BASE SIZE 00 – 3, 160 A – 630 A



IS505061



IS505001

SCHRACK-INFO

- Dimensions according to ÖNORM 6021 and DIN 43.620
- 3-pole version with 2 piece phase partitions

CERTIFICATIONS

EN/IEC-SN40, IEC 269, VDE 0636, SEV 1018

DESCRIPTION	DIM. (WxHxD) mm	ORDER NO.
1-pole Size 00, M8/strap	32x120x75	IS505001
1-pole Size 00, strap/strap	32x120x75	IS505002
1-pole Size 00, V Terminal/strap	32x120x75	IS505003
3-pole Size 00, M8/V Terminals	100x120x75	IS505037
3-pole Size 00, two-sided insert nuts M8	100x120x75	IS505039
3-pole Size 1, two-sided Hexagonal screw M10, Washer and nut	184x200x89	IS505060
3-pole Size 2, two-sided Hexagonal screw M12, Washer and nut	184x230x98	IS505061

NEUTRAL BRACKET 1-POLE SIZE 00 – 3

DESCRIPTION	ORDER NO.
Size 00 M8/strap	IS505004
Size 00 strap/strap	IS505005
Size 00 V terminal/strap	IS505006
Size 00; 2-pole + 2	IS505007
Size 00; 2-pole connected on one side, 4 x M8	IS505008
Size 00, M8 / V-terminal	IS505038
Size 00, 2 x M8	IS505043
Size 00, M8 / insert nuts	IS505044
Size 00, 2 outgoing terminals, 3 x M8	IS505091

ACCESSORIES FOR FUSE BASE

DESCRIPTION	ORDER NO.
Direct connection terminals for V-shaped terminal lugs VK160	IS505040
Phase partition for Size 00	IS505047
Phase partition for Size 1	IS505058
Phase partition for Size 2 and Size 3	IS505059
Connection link M8 - 1 x V terminal	IS505098
2 x M 8 - 1 x V terminal	IS505099
Drilled rail 8.5 Ø, hole spacing 32 mm	IS505100
Direct connection terminals for V-shaped terminal lugs VK 400	IS505200
Connection link for VK 400	IS505201
Partition NHU-00	IS505088

ACCESSORIES

DESCRIPTION	DIM. (WxHxD) mm	ORDER NO.
V double terminal	2x35-70SM	IS505018

HRC FUSE ELEMENTS

HRC FUSES OF TYPE 00.SE TO 3.SE



HRC FUSES

SCHRACK-INFO

- Isolator body made from Stealit
- Contact blade made from one piece
- Antimagnetic cover plate
- Silver casing fusible conductor
- Flat detector, live tags
- Operating category: gL
- Anticorrosive

CERTIFICATIONS

EN/IEC-SN40

RANGE OF APPLICATION

These NH HRC fuses are used to protect cables and lines. HRC fuses ensure that impermissible overcurrents up to the rated current of the fuse are shut down. Sz. 000 (C00) to 100 A only 2 cm wide.

SIZE/RATED CURRENT/RATED VOLTAGE	ORDER NO.
SIZE 00	
00/6 A/400 V AC	ISP00006
00/10 A/400 V AC	ISP00010
00/16 A/400 V AC	ISP00016
00/20 A/400 V AC	ISP00020
00/25 A/400 V AC	ISP00025
00/32 A/400 V AC	ISP00032
00/35 A/400 V AC	ISP00035
00/40 A/400 V AC	ISP00040
00/50 A/400 V AC	ISP00050
00/63 A/400 V AC	ISP00063
00/80 A/400 V AC	ISP00080
00/100 A/400 V AC	ISP00100
00/125 A/400 V AC	ISP00125
00/160 A/400 V AC	ISP00160
SIZE 1	
1/35 A/400 V AC	ISP01035
1/50 A/400 V AC	ISP01050
1/63 A/400 V AC	ISP01063
1/80 A/400 V AC	ISP01080
1/100 A/400 V AC	ISP01100
1/125 A/400 V AC	ISP01125
1/160 A/400 V AC	ISP01160
1/200 A/400 V AC	ISP01200
1/250 A/400 V AC	ISP01250
SIZE 2	
2/35 A/400 V AC	ISP02035
2/50 A/400 V AC	ISP02050
2/63 A/400 V AC	ISP02063
2/80 A/400 V AC	ISP02080
2/100 A/400 V AC	ISP02100
2/125 A/400 V AC	ISP02125
2/160 A/400 V AC	ISP02160
2/200 A/400 V AC	ISP02200
2/225 A/400 V AC	ISP02225
2/250 A/400 V AC	ISP02250
2/315 A/400 V AC	ISP02315
2/400 A/400 V AC	ISP02400
SIZE 3	
3/200 A/400 V AC	ISP03020
3/250 A/400 V AC	ISP03250
3/315 A/400 V AC	ISP03315
3/400 A/400 V AC	ISP03400
3/500 A/400 V AC	ISP03500
3/630 A/400 V AC	ISP03630

HRC FUSE ELEMENTS

SUPPORT INSULATORS



IK011030

SCHRACK-INFO

- Rated voltage 1 kV, excess voltage 34 - 50 kV
- Heat-stabilised, glass fibre strengthened plastic
- Halogen-free (in case of fire, no corrosive, toxic gases are released)
- Fire-proof according to DIN IEC 695, Part Z-2
- Fire classification VO for 0.8 mm according to UL 94
- Flash point more than 350° C
- Oxygen index 30.5
- Resistance to:
 - Ageing due to heat
 - Mould fungus
 - Termites
 - Oil
 - Grease
 - Petrol
 - Alcohol
 - UV rays
 - Tropical climate
- Thermic resistance according to ISO/R75 at 1.82 MPa 250° C
- Non-tracking quality PTI 250 (KC 375), high stiffness (up to 7500 MPa)
- Cold impact resistant
- Maximum cantilever, tensile and crush strengths
- Surface resistance 3×10^{13} Ohm

SCREW THREAD	DIM. (TxH) mm	ORDER NO.
M6, upheaval/cantilever 5 kN	Ø 30x40	IK011030-A
M8, upheaval/cantilever 6 kN	Ø 30x40	IK011032-A
M10, upheaval/cantilever 11 kN	Ø 40x40	IK011031-A
M12, upheaval/cantilever 11 kN	Ø 50x50	IK011033-A

SUPPORT INSULATOR WITH ONE INSIDE THREAD AND ONE OUTSIDE THREAD



SI058000

SCHRACK-INFO

- Rated Voltage 1,5 kV
- Female and male screw thread

TECHNICAL DATA

- Free of silicon and halogen
- Flashpoint more than 250 °C
- Fire classification according to UL 94
- Leakage current resistance CTI 600
- In according of IEC/EN 60664-1

SCREW THREAD	HIGH WITHOUT THREAD/WRENCH SITE	ORDER NO.
M6, inside and outside thread	30mm	SI058000

60 mm BUSBAR SYSTEM

60 mm BUSBAR SUPPORT FOR BUSBAR SYSTEM



60mm BUSBAR SYSTEM

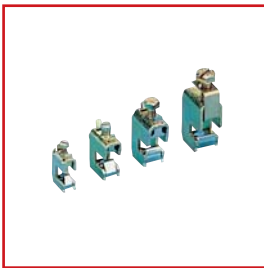
SCHRACK-INFO

- Halogen, phosphorous, silicone, CFC-free, recyclable!
- Possible to overhang, highly short circuit proof, UL94-V0
- Temperature stability: +200° C, glow wire 960° C
- Rated operating voltage: 690 V
- Starting torque of screws of the upper part: 3-4 Nm

DESCRIPTION	DIM. (WxHxD) mm	ORDER NO.
BUSBAR SUPPORT		
Busbar support 3p short	18.5x185x45(50)	IS502750
Busbar support 3p long	18.5x216x45(50)	IS502752
Busbar support 1p single	18.5x75,5x45(50)	IS502753
Busbar support 1p detachable	18.5x60x45(50)	IS502754
Busbar support 2p single	18.5x116x45(50)	IS502755
Busbar support 2p detachable	18.5x132x45(50)	IS502756
Support end cover 3p	-	IS502757
BUSBAR		
Busbar 2 m	20x5	IS5005068
Busbar 2 m	30x5	IS5005069
Busbar 2 m	20x10	IS5005087

60 mm BUSBAR SYSTEM

UNIVERSAL CONDUCTOR CONNECTION TERMINALS FOR BUSBAR SYSTEM



UNIVERSAL CONDUCTOR CONNECTION TERMINALS

SCHRACK-INFO

- For 5 and 10 mm thick busbar, and special profiles
- Connection of conductor 1.5-120 mm²
- Integrated retaining springs
- Opened clamping space and captive clamping screw enable easy assembly.
- Nominal cross-section and starting torque marked on the terminal

RAIL STRENGTH/ CONNECTION CROSS-SECTION/CONDUCTOR TYPE	DIM. (WxHxD) mm	ORDER NO.
5 mm/1.5-16 mm ² /sc, mc, stranded, stranded with ensleeve	11.5x22.5x30	SI012840
5 mm/4-35 mm ² /sc, mc, stranded, stranded with ensleeve, la. Cu 3/6x9x0.8	15.5x29x41	SI012850
5 mm/16-70 mm ² /mc, stranded, stranded with ensleeve, 2x la. Cu 3/6x9x0.8	20.5x32	SI012870
5 mm/16-120 mm ² /mc, stranded, stranded with ensleeve, la. Cu 10x16x0.8	23.5x36x60	SI010680
10 mm/1.5-16 mm ² /sc, mc, stranded, stranded with ensleeve	11.5x22.5x35	SI012890
10 mm/4-35 mm ² /sc, mc, stranded, stranded with ensleeve, la. Cu 3/6x9x0.8	15.5x29x45	SI012900
10 mm, TT-, TTT Profiles/16-70 mm ² /mc, stranded, stranded with ensleeve, 2x la. Cu 3/6x9x0.8	20.5x32	SI012920
10 mm, TT-, TTT Profiles/16-120 mm ² /mc, stranded, stranded with ensleeve, la. Cu 10x16x0.8	23.5x36x65	SI012030
20x5 mm/50 mm ² , 2 Screws/rail overlapping	17x25x37	SI011100

CONTACT VOLTAGE PROOF SAFETY COVER



IS502768

SCHRACK-INFO

- Contact voltage proof safety hood in combination with rail safety plate
- Clamp terminal should be ordered separately!

DESCRIPTION	DIM. (WxHxD) mm	ORDER NO.
Contact voltage proof safety cover 35 mm ² yellow	54x200x42	IS502768
Contact voltage proof safety cover 70 mm ² yellow	108x200x42	IS502769
Contact voltage proof safety cover 120 mm ² yellow	108x200x78	IS502770
Rail safety plate 54 mm	54	IS502774
Rail safety plate 108 mm	108	IS502775
135mm wide shrouding cover for connection space/room or reserved places	135x200x90	SI017560
270mm wide shrouding cover for connection space/room or reserved places	270x200x90	SI017570

60 mm BUSBAR SYSTEM

BRACE TERMINALS – CRITO PROFI CLIP FOR BUSBAR SYSTEM



BRACE TERMINALS

SCHRACK-INFO

- Connection of Cu and Alu conductor 95-300 mm² and laminar copper rails up to 32x20
- Overlappable terminal system
- For rails 20x5-30x10, and TT, TTT Profile
- Nominal cross-section and starting torque marked on the terminal

DESCRIPTION/CONDUCTOR TYPE	DIM. (WxHxD) mm	ORDER NO.
95-185 mm ² /Cu und Al, mc, stranded, stranded with ensleeve	51x38x70	SI013180
150-300 mm ² /Cu und Al, mc, stranded, stranded with ensleeve	51x41x85.5	SI017600
For lam. Cu 5x24x1-10x30	51x38x70	SI013190
For lam. Cu 5x24x1-10x32	51x41x85.5	SI017590

CONNECTION TERMINAL PLATES



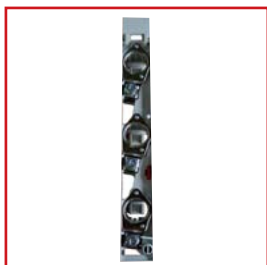
SI012400

SCHRACK-INFO

- 3-pole
- Inclusive cover cap
- For conductor 6-300 mm², and flat rails up to 32x20
- For rails 12x5 - 30x10, TT and TTT Profile
- Terminals can be removed for connecting conductors that are not cut off

CROSS-SECTION/CONDUCTOR TYPE/WIDTH	DIM. (WxHxD) mm	ORDER NO.
Mc, stranded, stranded with ensleeve/la.Cu. 6x9x0,8mm	54x200	SI012400
Mc, stranded, stranded with ensleeve/la.Cu. 6x10x15,5x0,8mm	81x200	SI012430
Cu, Alu, mc, stranded/135mm wide	135x200x117,5	SI011990
Cu und Alu mc, sc/135mm wide	135x200x117,5	SI017540
La. Cu 5x24x1 -10x32x1/135mm wide	135x200x117,5	SI017530

D02 BUSBAR FUSE SOCKET



IS504823

SCHRACK-INFO

- Integral - designation field, stainless steel terminal that is free of loss
- Temperature stability: +200° C, glow wire 960° C

DESCRIPTION	DIM. (WxHxD) mm	ORDER NO.
D02 busbar fuse socket E18 o. cover	27x201x32/50	IS504823
D02 strip/tag cover 27 mm 3p	27x201	IS504824
D02 strip/tag cover 36 mm + widening 3p	36x201	IS504825
D02 strip/tag cover 54 mm + widening 3p	54x201	IS504826
D02 strip/tag cover 36 mm + left	36x201	IS502766
D02 strip/tag cover 36 mm, right	36x201	IS502767

60 mm BUSBAR SYSTEM

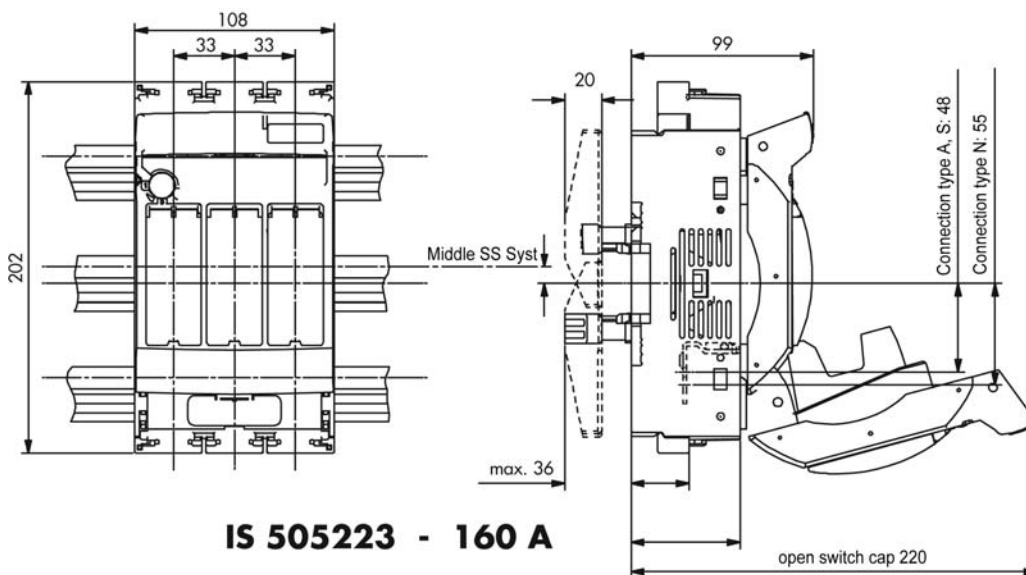
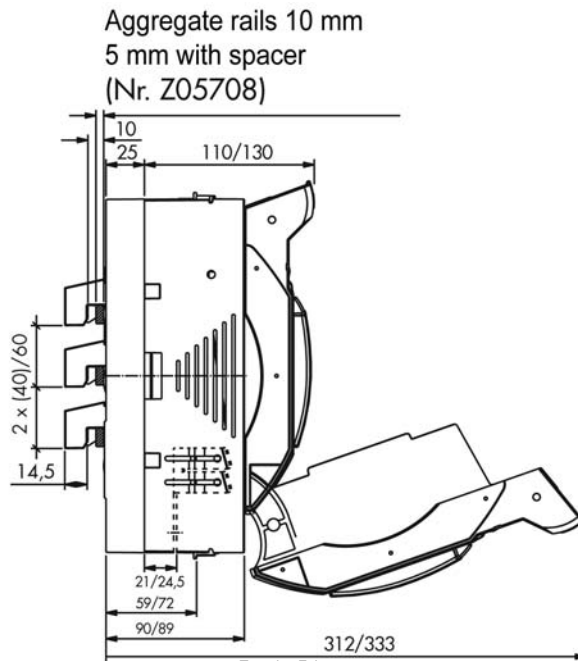
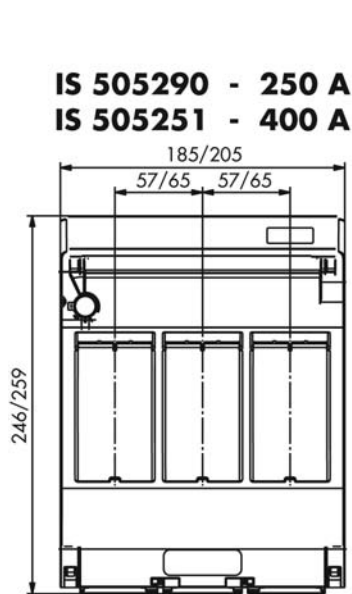
ARROW BLOC HRC FUSE LOADBREAK DISCONNECTORS SIZE 00 / 160 A AND GR. 1 / 250 A AND 00 STRIP, BUSBAR ASSEMBLY



IS505234

SCHRACK-INFO

- Universal for 40 mm and 60 mm bar/rail system
- Universal for 5 mm and 10 mm busbar strength
- Universal version: Cable outlet above or below
- Technical power data according to IEC 947 / EN 60947 same as in the surface mounting variant
- With motor protection device and fuse monitoring



DESCRIPTION	DIM. (WxHxD) mm	ORDER NO.
3-pole Size 00 - 160 A, M8	108x202x99	IS505223
3-pole Size 00 - 160 A, M8 + fuse monitoring	108x202x161	IS505263
3-pole Size 1 - 250 A, M10	185x246x135	IS505290
3-pole Size 1 - 250 A, M10 + fuse monitoring	185x246x213	IS505265
3-pole Size 2 - 400 A, M10 + fuse monitoring	205x259x233	IS505251

60 mm BUSBAR SYSTEM

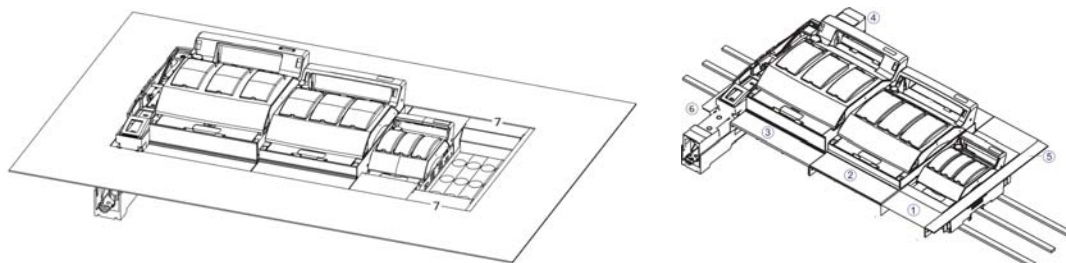
SIZE 00 FOR 60/100/185 mm BUSBAR SYSTEM WITH ACCESSORIES

DESCRIPTION	DIM. (WxHxD) mm	ORDER NO.
Loadbreak strip 3-pole Size 00 - 160 A, M8 + Cable cover + Claw set for direct assembly	50x406x116	IS505260

ARROW BLOC HRC FUSE LOADBREAK DISCONNECTOR BUSBAR ASSEMBLY - ACCESSORIES

DESCRIPTION	DIM. (WxHxD) mm	ORDER NO.
SS grip protection 3 p, 1 set=2pcs	B=185	IS505747

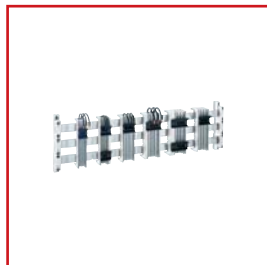
ARROW BLOC – SCREEN SYSTEMS



DESCRIPTION	ORDER NO.
Arrow bloc compensation screen 00/70 mm, refer to diagram Point 1	IS505870
Arrow bloc compensation screen 1/70 mm, refer to diagram Point 2	IS505871
Arrow bloc compensation screen 2/70 mm, refer to diagram Point 3	IS505872
Multivert compensation cap 00/70 mm, refer to diagram Point 4	IS505873
Arrow bloc/Multivert closing angle 70/90 mm, refer to diagram Point 5/6	IS505874
Arrow bloc compensation screen 00/90 mm, refer to diagram Point 1	IS505875
Arrow bloc compensation screen 1/90 mm, refer to diagram Point 2	IS505876
Arrow bloc compensation screen 2/90 mm, refer to diagram Point 3	IS505877
Arrow bloc compensation screen 3/90 mm, as in diagram Point 3	IS505878
Multivert compensation cap 00/90 mm, refer to diagram Point 4	IS505879
4-fold D02 Arrow bloc screens with upper and lower sides, H = 70 mm, W = 108 mm refer to diagram Point 7	IS505257
4-fold D02 Multivert screens with upper and lower sides, H = 70 mm, W = 108 mm, refer to diagram Point 7	IS505258

60 mm BUSBAR SYSTEM

BUSBAR ADAPTER – EQUES EASYCONNECTOR



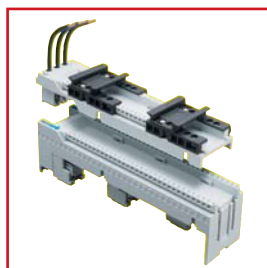
BUSBAR ADAPTER

SCHRACK-INFO

- 3-pole, 25 - 80 A
- Adapter widths 45 mm to 81 mm can be combined
- For rails 12-30x5/10, TT and TTT profile
- Multi-purpose base for 5 and 10 mm thick rails
- Ultrasound welded lines
- Length 200 mm or 260 mm

DESCRIPTION	DIM. (WxHxD) mm	ORDER NO.
Busbar adapter 25 A, 45mm wide, 1 mounting rail, 3 x 4 mm ² Lines	45x200	SI324300
Busbar adapter 25 A, 45mm wide, 2 mounting rail, 3 x 4 mm ² Lines	45x200	SI324310
Busbar adapter 25 A, 45mm wide, 2 mounting rail, 3 x 6 mm ² Connection terminals	45x200	SI324360
Busbar adapter 32 A, 54mm wide, 1 mounting rail, 3 x 6 mm ² Lines	54x200	SI324410
Busbar adapter 32 A, 54mm wide, 2 mounting rails, 3 x 6 mm ² Lines	54x200	SI324420
Busbar adapter 32 A, 63mm wide, 1 mounting rail, 3 x 6 mm ² Lines	63x200	SI324430
Busbar adapter 32 A, 72mm wide, 1 mounting rail, 3 x 6 mm ² Lines	72x200	SI324440
Busbar adapter 63 A, 54mm wide, 1 mounting rail, 3x10 mm ² Lines	54x200	SI324540
Busbar adapter 63 A, 54mm wide, 2 mounting rails, 3x10 mm ² Lines	54x200	SI324550
Busbar adapter 63 A, 63mm wide, 1 mounting rail, 3 x 10 mm ² Lines	63x200	SI324560
Busbar adapter 63 A, 72mm wide, 1 mounting rail, 3 x 10 mm ² Lines	72x200	SI324570
Busbar adapter 63 A, 81mm wide, 2 mounting rails, 3 x 10 mm ² Lines	81x200	SI324590
Busbar adapter 80 A, 81mm wide, 2 mounting rails, with connection terminals 16 mm ²	81x182x60	SI326100
Device suport without bonding, 45mm wide, 1 mounting rail	45x182x60	SI324770
Device suport without bonding, 54mm wide, 1 mounting rail	54x182x60	SI324780
PE/N adapter module with connection terminals 2 x 16 mm ² without lines, 18 mm width	18x242x60	SI320070
Separate mounting rail, 72 mm	35x70x7,5	SI329030

EQUES MOTORCONTROLLER



SI324120



SI324120

SCHRACK-INFO

- 3-pole 25 - 45 A
- Adapter widths 45, 54 mm and can be combined
- For rails 12 - 30 x 5/10 mm, TT and TTT profile
- Multi-purpose base for 5 and 10 mm thick rails
- Ultrasound welded lines
- Length 200 and 260 mm
- Offers MCC Technology
- Busbar protected against accidental contact for device exchange

DESCRIPTION	DIM. (WxH) mm	ORDER NO.
Busbar adapter, 2 mounting rails	54x200	SI324120
Side module, attachable on both sides	9x200	SI329630

60 mm BUSBAR SYSTEM

DEVICE ADAPTERS FOR CIRCUIT-BREAKERS AND SWITCH-DISCONNECTORS FOR 60 mm BUSBAR SYSTEM, MC1, MC2, MC3



MC195700



MC291400



MC391668

SCHRACK INFO

- For mounting on flat copper rails 12 x 5 mm bis 30 x 10 mm
- Double T and triple T profile
- Snaps onto the voltage-free busbar
- Rated operational voltage U_e : 690 V

TECHNICAL DATA

MC 1 up to 160 A:

- For switches with standard box terminal connection
- Connected to system via terminal strips above
- Can be used in connection with IP2X finger protection to increase accidental-contact protection against accidental contact on outgoing side

MC 2 up to 250 A:

- Top or bottom connection to system as required
- Cover plate MC2-XKR4 required

MC 3 up to 630 A:

- Connection to system from top
- For component adapter MC3-XKR13 with rear connection, cover plate needed
- Cover plate MC2-XKR4 required

DESCRIPTION	ORDER NO.
MC1	
60 mm busbar adapter 160 A for MC1, 3 pole	MC195700
4 pole adapter with cover plate	upon request
MC2	
60 mm busbar adapter 250 A for MC2, 3 pole	MC291400
Cover plate for component adapter MC2, 3 pole	MC291666
4 pole adapter with cover plate	upon request
MC3	
60 mm busbar adapter 550 A for MC3, 3 pole for MC3	MC391700
Cover plate for component adapter MC3, 3 pole	MC391668
4 pole adapter with cover plate	upon request

60 mm BUSBAR SYSTEM

UNIVERSAL ADAPTER 200 A – 630 A



UNIVERSAL ADAPTER

SCHRACK-INFO

- 3-pole for all commercial switchgear and control gear
- Connection version above or below
- With fastening screws M4 (M5, M6 refer to accessories) for adapter 200 A/250 A
- With fastening screws M4 (M6, M8 refer to accessories) for adapter 630 A
- 200 A - Box terminal version for conductor 6-70 mm², mc, stranded, stranded with ensleeve or laminar copper 10x16x0.8
- 250 A - Box terminal version for conductor 35-120 mm², mc, stranded, stranded with ensleeve or laminar copper 10x20x0.8
- 630 A - Screw M12/240 mm² or connection fish plate flat rails up to 14x25 mm
- For bonding on un-drilled busbar

DESCRIPTION/RATED CURRENT	DIM. (WxH) mm	ORDER NO.
Outgoing terminal above/200 A	108x222	SI322140
Outgoing terminal below/200 A	108x222	SI322150
For MG-NS100, NS250/250 A	106x192	SI321560
Outgoing terminal above/250 A	110x320	SI321680
Outgoing terminal above/below/630 A	238x320	SI322620
Outgoing terminal below/250 A	110x320	SI322160

185 mm BUSBAR SYSTEM

■ BUSBAR CARRIER FOR 185 mm UP TO 2100 A



BUSBAR CARRIER

■ SCHRACK-INFO

- High protection against short circuit and temperature stability
- Silicone-free, chlorine-free
- Temperature stability 120° C/V0
- Non-tracking quality CTI 600
- For bore-free assembly of busbars 30-120x10, TT and TTT profile (for busbar carrier SI012300)

DESCRIPTION	DIM. (WxHxD) mm	ORDER NO.
Bore-free assembly for 30-120x10mm, TT/TTT profile in the 185 mm system	30x580x65	SI012300
For bored rails from 30x10 to 120x10 mm in the 100/185 mm system	32x412x40	SI010040

■ CUPONAL



CU201003

■ SCHRACK-INFO

Cuponal current-carrying rails are used globally for following ranges of application:

- Distributors in the low voltage range
- Distributors in the high voltage range
- Switch cabinets
- Busbar distribution systems
- Vacuum switchboard plants
- Motor monitoring centers
- Generators, transformers, rectifiers
- Certifications: Germanischer Lloyd, Det Norske Veritas, Bureau Veritas, Lloyds, UL

CONSTANT CURRENT AT 65° C RAIL TEMPERATURE	DIM. (WxHxD) mm	ORDER NO.
94 A	2000x10x3	CU201003
168 A	2000x20x3	CU202003
225 A - sharp-edged	2000x20x5	CU2S2005
313 A - sharp-edged	2000x30x5	CU2S3005
400 A	2000x40x5	CU204005
472 A - sharp-edged	2000x30x10	CU2S3010
595 A	2000x40x10	CU204010
705 A	2000x50x10	CU205010
820 A	2000x60x10	CU206010
1030 A	2000x80x10	CU208010

■ SIZE 1 TO SIZE 3, 3-POLE, SWITCHABLE FOR 185 mm BUSBAR SYSTEM

DESCRIPTION	DIM. (WxHxD) mm	ORDER NO.
Size 1 to 250 A, 3-pole, switchable M10	100x725x157	IS505305
Size 2 to 400 A, 3-pole, switchable M12	100x725x157	IS505311
Size 3 to 630 A, 3-pole, switchable M12	100x725x157	IS505320
Open switching/control strip Size 3 M12; without cover for 185 mm system	100x736x157	IS505353

185 mm BUSBAR SYSTEM

ARROW LINE HRC FUSE LOAD BREAKER



IS505301



IS505303

TECHNICAL DATA

Sz. 00, 1, 2, 3:	3-polig
Thermal current in open air:	160/250/400/630 A
Max. powerless of HRC-fuses:	12/23/34/48 W
Rated voltage U _e :	AC 400/500/690 V
Utilization category:	AC 23/22/21B
Rated isolation voltage U _i :	1000 V
Rated frequency:	50-60 Hz
Protection class:	IP 20
Degrec of pollution:	3
Rated operation category:	permanent
Rated short current switch capacity:	6,1/8/8/12,6 kA per second
Rated short circuit making capacity with NH-fuse links:	50/50/25 kA

DESCRIPTION	DIM. (WxHxD) mm	ORDER NO.
ARROW LINE – SIZE 00 UP TO 160 A		
HRC-fuse load breaker 3pol. Gr. 00 - 160 A - 100 mm busbarsystem, M8	50x406x116	IS505261
Singleadapter Gr. 00; 100 mm to 185 mm busbarsystem	-	IS505327
Doubleadapter Gr. 00; 100 mm to 185 mm busbarsystem	-	IS505326
ARROW LINE – SIZE 1 UP TO 250 A		
Size 1 to 250 A, 3pol. switchable M10, for 185 mm busbarsystem	100x725x157	IS505305
ARROW LINE – SIZE 2 UP TO 400 A		
Size 2 to 400 A, 3pol. switchable M12 for 185 mm busbarsystem	100x725x157	IS505311
ARROW LINE – SIZE 3 UP TO 630 A		
Size 3 to 630 A, 3pol. switchable M12 for 185 mm busbarsystem	100x725x157	IS505320

185 mm BUSBAR SYSTEM

■ HRC FUSES OF TYPE 00.SE TO 3.SE



HRC FUSES

■ SCHRACK-INFO

- Isolator body made from Stealit
- Contact blade made from one piece
- Antimagnetic cover plate
- Silver casing fusible conductor
- Front detector
- Operating category: gL
- Anticorrosive

■ CERTIFICATIONS

EN/IEC-SN40

■ RANGE OF APPLICATION

These NH HRC fuses are used to protect cables and lines. HRC fuses ensure that impermissible overcurrents up to the rated current of the fuse are shut down. Sz. 000 (C00) to 100 A only 2 cm wide.

SIZE/RATED CURRENT/RATED VOLTAGE	ORDER NO.
SIZE 00	
00/6 A/400 V AC	ISP00006
00/10 A/400 V AC	ISP00010
00/16 A/400 V AC	ISP00016
00/20 A/400 V AC	ISP00020
00/25 A/400 V AC	ISP00025
00/32 A/400 V AC	ISP00032
00/35 A/400 V AC	ISP00035
00/40 A/400 V AC	ISP00040
00/50 A/400 V AC	ISP00050
00/63 A/400 V AC	ISP00063
00/80 A/400 V AC	ISP00080
00/100 A/400 V AC	ISP00100
00/125 A/400 V AC	ISP00125
00/160 A/400 V AC	ISP00160
SIZE 1	
1/35 A/400 V AC	ISP01035
1/50 A/400 V AC	ISP01050
1/63 A/400 V AC	ISP01063
1/80 A/400 V AC	ISP01080
1/100 A/400 V AC	ISP01100
1/125 A/400 V AC	ISP01125
1/160 A/400 V AC	ISP01160
1/200 A/400 V AC	ISP01200
1/250 A/400 V AC	ISP01250
SIZE 2	
2/35 A/400 V AC	ISP02035
2/50 A/40#0 V AC	ISP02050
2/63 A/400 V AC	ISP02063
2/80 A/400 V AC	ISP02080
2/100 A/400 V AC	ISP02100
2/125 A/400 V AC	ISP02125
2/160 A/400 V AC	ISP02160
2/200 A/400 V AC	ISP02200
2/225 A/400 V AC	ISP02225
2/250 A/400 V AC	ISP02250
2/315 A/400 V AC	ISP02315
2/400 A/400 V AC	ISP02400
SIZE 3	
3/200 A/400 V AC	ISP03020
3/250 A/400 V AC	ISP03250
3/315 A/400 V AC	ISP03315
3/400 A/400 V AC	ISP03400
3/500 A/400 V AC	ISP03500
3/630 A/400 V AC	ISP03630

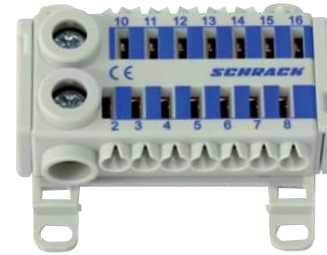
CONNECTION AND INSTALLATION SYSTEM

TOP-TECHNIC



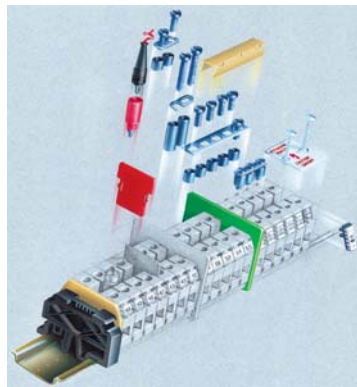
TERMINALS

TOP-TECHNIC



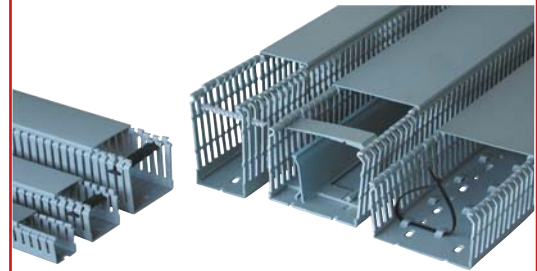
EASY CONNECTION BOX

TOP-TECHNIC



SCREW-TYPE TERMINALS

TOP-TECHNIC



WIRING DUCTS