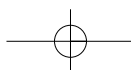




# ENCLOSURES

## CONTENTS

CONSUMER DISTRIBUTION BOARDS .....	Page 2
WALL-MOUNTING ENCLOSURES .....	Page 9
FLOOR-STANDING ENCLOSURES .....	Page 15
MODUL 4000TT – TYPE TESTED ENCLOSURES .....	Page 21
ENCLOSURES ACCESSORIES .....	Page 24
BRANCH ENCLOSURES .....	Page 26
BRITISH STANDARD DISTRIBUTION BOARDS .....	Page 27





# CONSUMER DISTRIBUTION BOARDS

## CONSUMER ENCLOSURES WALL-MOUNTED, WITH STEEL DOOR



BK003022

### SCHRACK-INFO

- Degree of protection IP30 with rear panel
- Incl. PE- and N terminals
- Frame made from plastic
- Door: Sheet steel, to be ordered separately

### CERTIFICATIONS

DIN VDE 0603, protection class II

DESCRIPTION	DIM. (WxHxD) mm	ORDER NO.
1-row, 12 modules	300x245x106	BK003021
2-row, 24 modules	300x370x106	BK003022
3-row, 36 modules	300x495x106	BK003023
4-row, 48 modules	300x620x106	BK003024
Sheet steel door for BK003021	298x189x9	BK003001
Sheet steel door for BK003022	298x314x9	BK003002
Sheet steel door for BK003023	298x439x9	BK003003
Sheet steel door for BK003024	298x564x9	BK003004

## CONSUMER ENCLOSURES WALL-MOUNTED, WITH PLASTIC DOOR



BK080152

### SCHRACK-INFO

- Degree of protection IP 40
- Incl. PE- and N terminals
- Frame and door made from plastic
- Colour: white

### CERTIFICATIONS

EN 60670-1, IEC 60670-24

DESCRIPTION	DIM. (WxHxD) mm	ORDER NO.
1-row, 4 modules	215x263x112	BK0801501
1-row, 12 modules	287x236x112	BK080151
2-row, 24 modules	287x361x112	BK080152
3-row, 36 modules	287x482x112	BK080153

## CONSUMER ENCLOSURES WALL-MOUNTED, WITH TRANSPARENT DOOR



BK080102

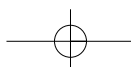
### SCHRACK-INFO

- Degree of protection IP 40
- Incl. PE- and N terminals
- Frame and door made from plastic
- Colour: white

### CERTIFICATIONS

EN 60670-1, IEC 60670-24

DESCRIPTION	DIM. (WxHxD) mm	ORDER NO.
1-row, 4 modules	215x263x112	BK080100
1-row, 12 modules	287x236x112	BK080101
2-row, 24 modules	287x361x112	BK080102
3-row, 36 modules	287x482x112	BK080103



## CONSUMER DISTRIBUTION BOARDS

### CONSUMER ENCLOSURES FLUSH-MOUNTED, WITH PLASTIC DOOR



BK080052

#### SCHRACK-INFO

- Degree of protection IP 40
- Incl. PE- and N terminals
- Frame and door made from plastic
- Colour: white

#### CERTIFICATIONS

EN 60670-1, IEC 60670-24

DESCRIPTION	DIM. (WxHxD) mm	ORDER NO.
1-row, 4 modules	211x232x70	BK080050
1-row, 12 modules	283x232x70	BK080051
2-row, 24 modules	283x375x70	BK080052
3-row, 36 modules	283x482x70	BK080053

### CONSUMER ENCLOSURES FLUSH-MOUNTED, WITH TRANSPARENT DOOR



BK080001

#### SCHRACK-INFO

- Degree of protection IP 40
- Incl. PE- and N terminals
- Frame and door made from plastic
- Colour: white

#### CERTIFICATIONS

EN 60670-1, IEC 60670-24

DESCRIPTION	DIM. (WxHxD) mm	ORDER NO.
1-row, 4 modules	211x232x70	BK080000
1-row, 12 modules	283x232x70	BK080001
2-row, 24 modules	283x375x70	BK080002
3-row, 36 modules	283x482x70	BK080003

### ACCESSORIES FOR CONSUMER ENCLOSURES

DESCRIPTION	ORDER NO.
PE/N terminal 2x15 (add.)	BK080098

# CONSUMER DISTRIBUTION BOARDS

## CONSUMER ENCLOSURES DIN FLUSH-MOUNTED AND HOLLOW WALL, WITH STEEL DOOR



FLUSH-MOUNTED ENCLOSURES

### SCHRACK-INFO

- IP 30 degree of protection plus polysterene trough, glow-wire tested, low on halogens
- Incl. PE- and N terminals
- Frame and doors from sheet steel- coated, colour: white
- Same order no. also available with viewing doors, with DT at end
- Door lock assembly and twist lock enclosed

### CERTIFICATIONS

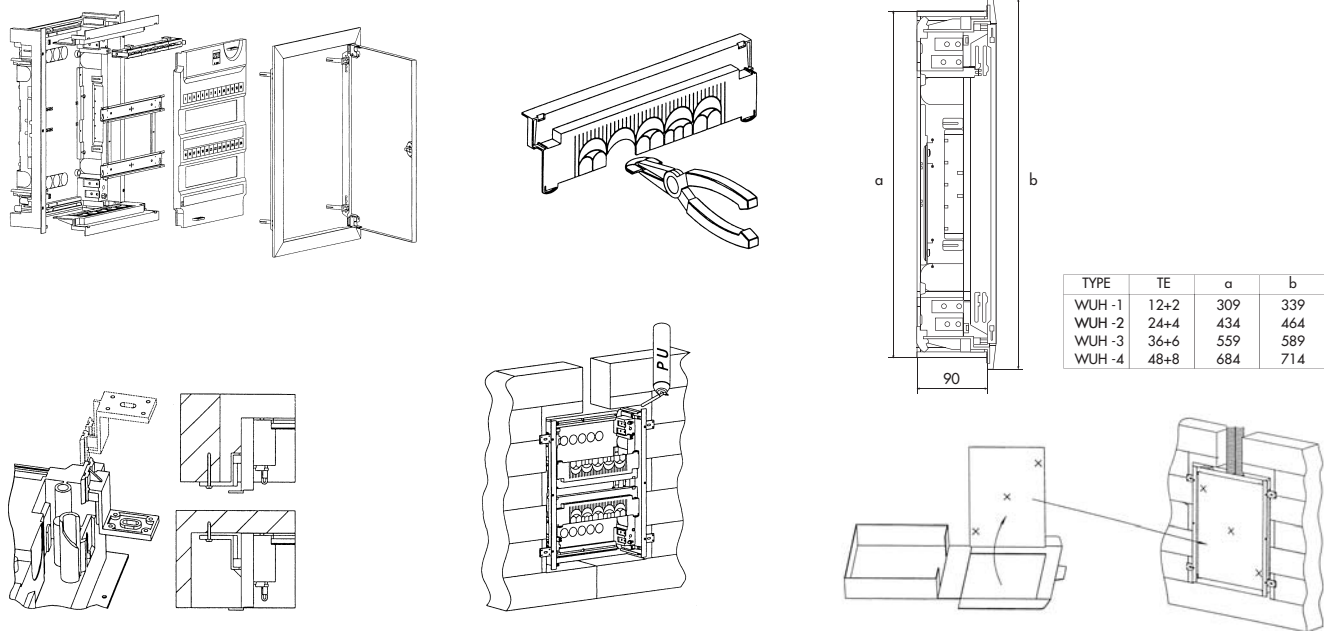
EN 60439-3, protection class II

### RANGE OF APPLICATION

The solid construction reliably prevents distortion through being packed in plastic foam or through walling in. As an additional protection, the side flanges are hidden in the central enclosure area during delivery. Given its flat design and neutral colour, the domestic enclosure fits well in the wall plaster surface. As an additional advantage, the flush-mounted enclosure (incl.cover) are packed separately from the parts that are later visible. Thus ensuring that these parts remainprotected until installation.

### INCLUDED IN DELIVERY

Enclosure, device carrier, anti-dirt- device cover, neutral- and protective earth conductor terminal, assembly instructions, fixing material for hollow wall mounting, mounting angles and self-adhesive labels with graphical symbols (pictograms)



DESCRIPTION	DIM. (WxHxD) mm	ORDER NO.
1-row, 12/14 modules, wall box	CO*=325x315x91	BK070001-A
2-row, 24/28 modules, wall box	CO*=325x440x91	BK070002-A
3-row, 36/42 modules, wall box	CO*=325x565x91	BK070003-A
4-row, 48/56 modules, wall box	CO*=325x690x91	BK070004-A
1-row, 12/14 modules, complete	359x339	BK070001
2-row, 24/28 modules, complete	359x464	BK070002
3-row, 36/42 modules, complete	359x589	BK070003
4-row, 48/56 modules, complete	359x714	BK070004
1-row, 12/14 modules, doors and insert	-	BK070101
2-row, 24/28 modules, doors and insert	-	BK070102
3-row, 36/42 modules, doors and insert	-	BK070103
4-row, 48/56 modules, doors and insert	-	BK070104

CO\*= hollow wall cut-out

## CONSUMER DISTRIBUTION BOARDS

### ACCESSORIES FOR CONSUMER ENCLOSURES DIN FLUSH-MOUNTED AND HOLLOW WALL ENCLOSURES

#### SCHRACK-INFO

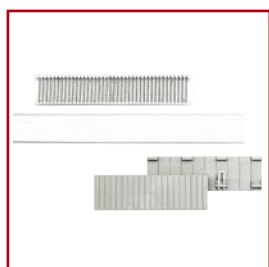
- An accurate cut-out in the hollow wall opening is no longer required
- The FM enclosure contains a cable fastening bar
- Tested clip technology for intuitive fastening
- Generous wiring space
- Easily retractable mounting rail structure
- Stops on DIN rails to position devices
- Quick-fastening locks for device covers
- Finger-proof terminal carrier
- Two different mounting levels, terminal blocks can be mounted on side. Sufficient space is available for additional PE- and N terminals

#### MOUNTING VARIANTS

- Fastening angle for hollow wall (wall thickness up to 30 mm)
- Dovetail mounting angle for front and rear panel fastening

DESCRIPTION	LENGTH mm	ORDER NO.
Lock set	-	BK077004
Cover plate for 45 mm slit, white, 6 modules	100	BK077002
Twist lock, complete, white	-	BK077005

### BLANK STRIPS FOR CONSUMER ENCLOSURES DIN FLUSH-MOUNTED AND HOLLOW WALL ENCLOSURES



IL900112-F

#### SCHRACK-INFO

- Plastic strips to cover unused areas of device cutouts

DESCRIPTION	DIM. (WxHxD) mm	ORDER NO.
Lead-sealable cover plate, cannot be released from front	175x50x8	IL900112-F
Blank strips, ribbed (12 modules) white	220x50x8	BK004100
Blank strips, smooth grey	1000x250x8	IL900251-G
Blank strips, smooth white	1000x50x8	IL900251-W

# CONSUMER DISTRIBUTION BOARDS

## DIN RAIL MOUNTED HOUSING WITH DOORS



IM008151

### SCHRACK-INFO

- Housing with transparent viewing door
- Fully double-insulated
- Degree of protection: IP 55, lead-sealable
- Colour: RAL 7035
- Inc. NL and PE terminals

Series CT 12NS, 24NS, 36NS with EN/IEC certificate meeting EN 60439-3

MODULE WIDTHS	DIM. (WxHxD) mm	ORDER NO.
3 modules - 1 row with drop lid	83x175x111	IM009019
5 modules - 1 row with drop lid	125x175x111	IM009020
8 modules - 1 row with drop lid	215x175x111	IM009021
13 modules - 1 row with drop lid	286x200x119	IM009022
12 modules - 1 row with door	285x250x136	IM008150
24 modules - 2 row with door	285x375x136	IM008151
36 modules - 3 row with door	285x500x136	IM008152

## DIN RAIL MOUNTED HOUSING WITHOUT DOORS



IM009016

### SCHRACK-INFO

- Housing without door
- Fully double-insulated
- Degree of protection: IP 40, lead-sealable
- Colour: RAL 7035
- Inc. NL and PE terminals

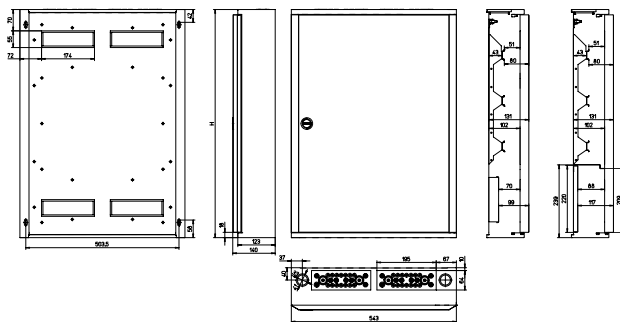
MODULE WIDTHS	DIM. (WxHxD) mm	ORDER NO.
2 modules - 1 row	51x131x60	IM009010
4 modules - 1 row	88x131x60	IM009011
12 + 1 modules - 1 row (not lead-sealable)	283x165x90	IM009016

# CONSUMER DISTRIBUTION BOARDS

## MODUL 160 COMPACT WALL MOUNTING OPEN ENCLOSURES



ILC2A324



### SCHRACK-INFO

- Wall mounting, open enclosure RAL 1016
- $I_n = 160$  A
- With front plates (dist. 150 mm) and rail frame
- PE rail
- Earthed front plates

NO. OF ROWS	N-TERMINALS	PE-TERMINALS	DIM (WxHxD) mm	ORDER NO.
<b>WALL MOUNTING FRAME WITHOUT DOOR, 24 MODULES</b>				
2	11	29	545x450x124+16	ILC2A224
3	11	29	545x605x124+16	ILC2A324
4	11	45	545x755x124+16	ILC2A424
5	11	60	545x905x124+16	ILC2A524
6	11	60	545x1055x124+16	ILC2A624
<b>WALL MOUNTING FRAME WITHOUT DOOR, 33 MODULES</b>				
4	11	60	705x755x124+16	ILC3A433
5	11	76	705x905x124+16	ILC3A533
6	11	76	705x1055x124+16	ILC3A633
<b>METAL DOOR FOR 24 MODULES, TURNING BOLT "WS"</b>				
2	11	29	545x450x124+16	ILC2T224
3	11	29	545x605x124+16	ILC2T324
4	11	45	545x755x124+16	ILC2T424
5	11	60	545x905x124+16	ILC2T524
6	11	60	545x1055x124+16	ILC2T624
<b>METAL DOOR FOR 33 MODULES, TURNING BOLT "WS"</b>				
4	11	60	545x755x124+16	ILC3T433
5	11	76	545x905x124+16	ILC3T533
6	11	76	545x1055x124+16	ILC3T633
<b>METAL DOOR HIGH FOR 24 MODULES, ZYLINDER LOCK "RONIS"</b>				
2	11	29	545x450x124+16	ILC2H224
3	11	29	545x605x124+16	ILC2H324
4	11	45	545x755x124+16	ILC2H424
5	11	60	545x905x124+16	ILC2H524
6	11	60	545x1055x124+16	ILC2H624
<b>METAL DOOR HIGH FOR 33 MODULES, ZYLINDER LOCK "RONIS"</b>				
4	11	60	545x755x124+16	ILC3H433
5	11	76	545x905x124+16	ILC3H533
6	11	76	545x1055x124+16	ILC3H633
<b>GLAZED DOOR FOR 24 MODULES</b>				
2	11	29	545x450x124+16	ILC2F224
3	11	29	545x605x124+16	ILC2F324
4	11	45	545x755x124+16	ILC2F424
5	11	60	545x905x124+16	ILC2F524
6	11	60	545x1055x124+16	ILC2F624
<b>GLAZED DOOR FOR 33 MODULES</b>				
4	11	60	545x755x124+16	ILC3F433
5	11	76	545x905x124+16	ILC3F533
6	11	76	545x1055x124+16	ILC3F633



# CONSUMER DISTRIBUTION BOARDS

## MODUL 160 COMPACT FLUSH MOUNTED ENCLOSURES



ILC2U324

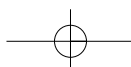
### SCHRACK-INFO

- Flush mounted enclosure, RAL 1016
- $I_n = 160$  A
- With front plates (dist. 150 mm) and rail frame
- PE rail
- Earthed front plates

NO. OF ROWS	N-TERMINALS	PE-TERMINALS	DIM (WxHxD) mm	ORDER NO.
<b>FLUSH MOUNTING FRAME INCL. METAL DOOR FOR 24 MODULES</b>				
2	11	29	500/590x430/470x135	ILC2U224
3	11	29	500/590x580/620x135	ILC2U324
4	11	45	500/590x730/770x135	ILC2U424
5	11	60	500/590x880/920x135	ILC2U524
6	11	60	500/590x1030/1070x135	ILC2U624
<b>FLUSH MOUNTING FRAME INCL. METAL DOOR FOR 33 MODULES</b>				
4	11	45	660/750x730/770x135	ILC2U433
5	11	60	660/750x880/920x135	ILC2U533
6	11	60	660/750x1030/1070x135	ILC2U633
<b>GLAZED DOOR FOR 24 MODULES</b>				
2	11	29	500/590x430/470x135	ILC2U224F
3	11	29	500/590x580/620x135	ILC2U324F
4	11	45	500/590x730/770x135	ILC2U424F
5	11	60	500/590x880/920x135	ILC2U524F
6	11	60	500/590x1030/1070x135	ILC2U624F
<b>GLAZED DOOR FOR 33 MODULES</b>				
4	11	45	660/750x730/770x135	ILC2U433F
5	11	60	660/750x880/920x135	ILC2U533F
6	11	60	660/750x1030/1070x135	ILC2U633F

## ACCESSORIES FOR MODUL 160 COMPACT

DESCRIPTION	PE-TERMINALS	DIM (WxHxD) mm	ORDER NO.
<b>TERMINAL 16 mm<sup>2</sup></b>			ILCNK029
USE FOR ILCXX224, ILCXX324	29		ILCNK029
USE FOR ILCXX424	45		ILCNK045
USE FOR ILCXX524, ILCXX624, ILCXX433	60		ILCNK060
USE FOR ILCXX533, ILCXX633	76		ILCNK076
<b>ZYLINDER LOCK</b>			
Mini Zylinder lock set 2233X "WS"	-		ILCZY12233
<b>MODUL 160 COMPACT PRE-PUNCHED MOUNTING PLATES WITH SEPARATING PLATES</b>			
Width 2, wall mounting	-	220x430x15	ILCAMPT2
Width 3, wall mounting	-	-	ILCAMPT3
Width 2, flush mounting	-	220x430x15	ILCUMPT2
Width 3, flush mounting	-	-	ILCUMPT3
<b>MODUL 160 COMPACT MOUNTING PLATES WITH FRONT PLATES</b>			
Width 2, wall mounting, MC1	-	-	ILCAMCF2
Width 3, wall mounting, MC1	-	-	ILCAMCF3
Width 2, flush mounting, MC1	-	-	ILCUMCF2
Width 3, flush mounting, MC1	-	-	ILCUMCF3



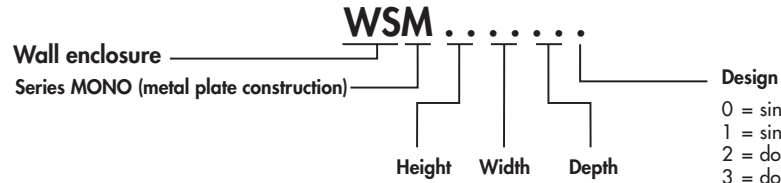
# WALL-MOUNTING ENCLOSURES

## WSM SHEET STEEL ENCLOSURES WITH MOUNTING PLATE FOR WALL MOUNTING



WSM

### Type key

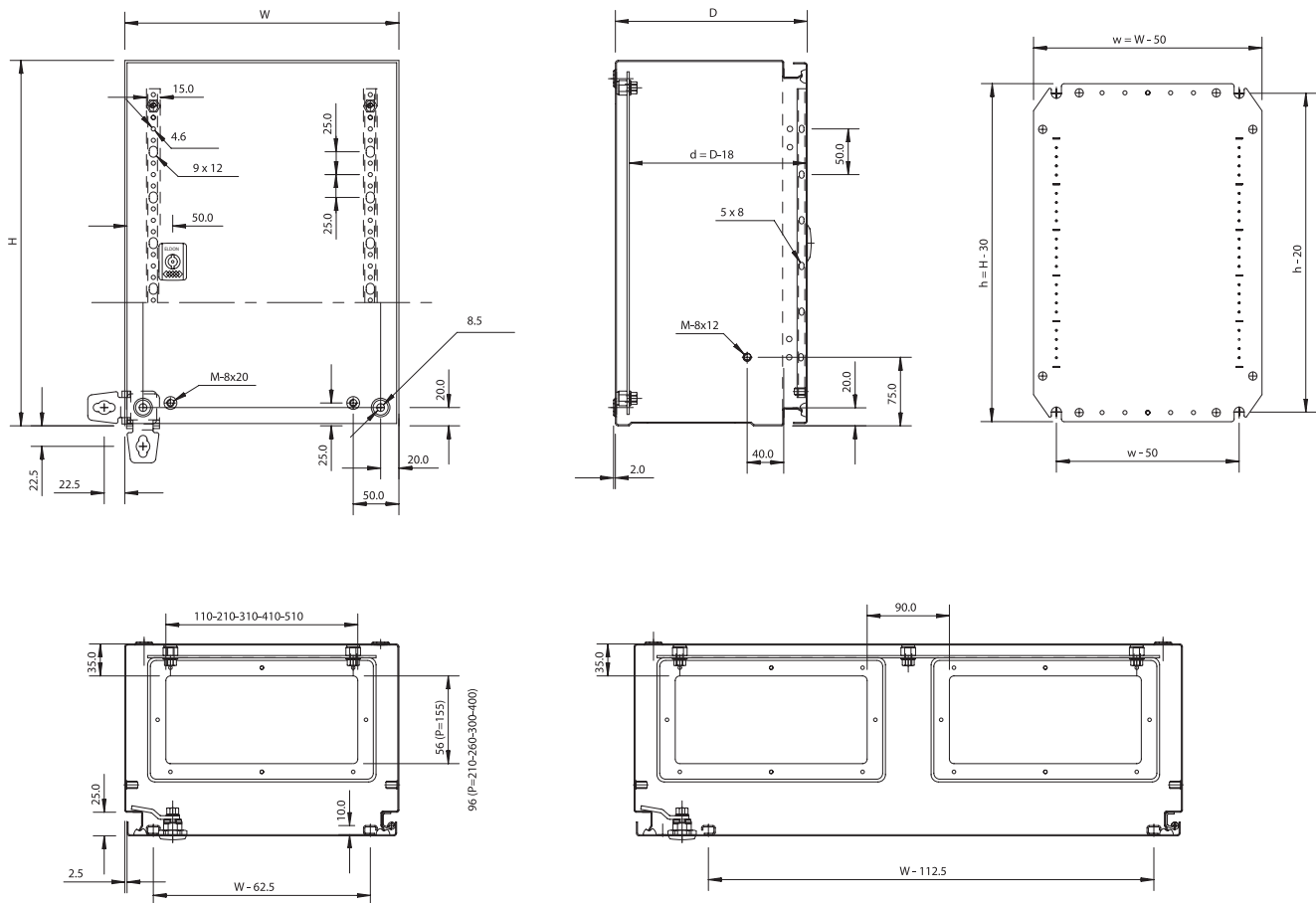


<p>200</p> <p>WSM2020150</p>	<p>200</p> <p>WSM2520150</p>	<p>250</p> <p>WSM2525150</p>	<p>250</p> <p>WSM3025150 WSM3025210</p>	<p>300</p> <p>WSM3030150 WSM3030210</p>
<p>250</p> <p>WSM3525150</p>	<p>300</p> <p>WSM4030150 WSM4030210</p>	<p>400</p> <p>WSM4040210</p>	<p>500</p> <p>WSM4050210</p>	<p>600</p> <p>WSM4060210</p>
<p>400</p> <p>WSM5040150 WSM5040210 WSM5040260 WSM5040300</p>	<p>500</p> <p>WSM5050210 WSM5050300</p>	<p>400</p> <p>WSM6040150 WSM6040210 WSM6040260 WSM6040300</p>	<p>500</p> <p>WSM6050150 WSM6050210 WSM6050260 WSM6050300</p>	<p>600</p> <p>WSM6060210 WSM6060300 WSM6060400</p>
<p>800</p> <p>WSM6080300</p>	<p>500</p> <p>WSM7050210 WSM7050260</p>	<p>400</p> <p>WSM8040300</p>	<p>600</p> <p>WSM8060210</p>	<p>600</p> <p>WSM8060260 WSM8060300 WSM8060400</p>
<p>800</p> <p>WSM8080210 WSM8080300 WSM8080400</p>	<p>600</p> <p>WSM1006260 WSM1006300</p>	<p>800</p> <p>WSM1008260 WSM1008300 WSM1008400</p>	<p>600</p> <p>WSM1206300</p>	<p>800</p> <p>WSM1208300 WSM1208400</p>
<p>800</p> <p>WSM6080302</p>	<p>1200</p> <p>WSM0812302</p>	<p>1200</p> <p>WSM0812402</p>	<p>1000</p> <p>WSM1010302</p>	<p>1000</p> <p>WSM1210302</p>
<p>1200</p> <p>WSM1212302 WSM1212402</p>	<p>1000</p> <p>WSM1410302</p>			

# WALL-MOUNTING ENCLOSURES

## WSM SHEET STEEL ENCLOSURES WITH MOUNTING PLATE FOR WALL MOUNTING – continued

Page  
10



### SCHRACK-INFO

- Material:
  - Body: 1,2 mm mild steel / 1,4 mm WSM6060210 and above / 1,5 mm WSM1008260 and above, and 400 mm depth enclosures
  - Gland plate: 1,4 mm mild steel
  - Doors: 1,2 mm mild steel / 1,4 mm WSM6060210 and above / 1,8 mm WSM1008260 and above, and 400 mm depth enclosures
  - Mounting plate: 2 mm galvanised steel
- Body: Folded and seam-welded. Four instances 20,44 mm in diameter are provided to enable air circulation behind the enclosure when wall-mounted. These instances contain holes for wall-fastening, 8,55 mm in diameter.
- Doors: Opening angle 130°. Covered and removable hinges allow doors to be affixed on left or right hand side. From size WSM6040150, the door comes with two removable door mounting profiles. The enclosure is sealed in ployurethane coating fully-packed in plastic foam to ensure seal-tightness.
- Locking: Lock has double-grip to enable door to be opened easily, DIN lock with 5 mm pin and 90° dwell. From 1000 mm and up, 3 point lock rod. Other locks available as accessories.
- Mounting plate: The mounting plate has markings every 10 mm to enable equipment to be more easily positioned on the mounting plate. There are holes below and above for fastening cables. The mounting plate is mounted in M8 bolts on the rear side of the enclosure. All sides higher than 1000 mm come with rounded edges. Depth rails enable continuous adjustment.
- Flange opening: Easy cable entry is ensured by placing flange far back in the enclosure
- Surface: powder-structure coating, grey RAL 7035
- Degree of protection: Meets IP66 and NEMA 4, 12 and 13 single door, 2 casement models meet IP 55
- Included in delivery: Complete enclosure with 2 door mounting profiles (from size WSM5050210), mounting plate inc. fixing materials, blank flange with gaskets and screws. Nylon washers for sealing wall-fastening holes.

## WALL-MOUNTING ENCLOSURES

### WSM SHEET STEEL ENCLOSURES WITH MOUNTING PLATE FOR WALL MOUNTING – continued

DIM. (HxWxD) mm	MOUNTING PLATE (HxW) mm	INSTALLATION DEPTH (D) mm	FLANGE OPENING (WxD) mm / SIZE	LOCK	ORDER NO.
250x200x155	220x200	137	110x56 / 00	1	WSM2520150
300x250x155	270x200	137	110x56 / 00	1	WSM3025150
300x250x210	270x200	192	110x56 / 00	1	WSM3025210
300x300x155	270x250	137	210x56 / A0	1	WSM3030150
300x300x210	270x250	192	210x96 / A	1	WSM3030210
350x250x155	320x200	137	110x56 / 00	1	WSM3525150
400x300x155	370x250	137	210x56 / A0	1	WSM4030150
400x300x210	370x250	192	210x96 / A	1	WSM4030210
400x400x210	370x350	192	310x96 / B	1	WSM4040210
400x600x210	370x550	192	510x96 / D	1	WSM4060210
500x400x155	470x350	137	310x56 / B0	1	WSM5040150
500x400x210	470x350	192	310x96 / B	1	WSM5040210
500x400x260	470x350	224	310x96 / B	1	WSM5040260
500x500x210	470x450	192	410x96 / C	1	WSM5050210
500x500x300	470x450	282	410x96 / C	1	WSM5050300
600x400x155	570x350	137	310x56 / B0	2	WSM6040150
600x400x210	570x350	192	310x96 / B	2	WSM6040210
600x400x260	570x350	224	310x96 / B	2	WSM6040260
600x500x155	570x450	137	410x56 / C	2	WSM6050150
600x500x210	570x450	192	410x96 / C	2	WSM6050210
600x500x260	570x450	224	410x96 / C	2	WSM6050260
600x500x300	570x450	282	410x96 / C	2	WSM6050300
600x600x210	570x550	192	510x96 / D	2	WSM6060210
600x600x300	570x550	282	510x96 / D	2	WSM6060300
700x500x210	670x450	192	410x96 / C	2	WSM7050210
700x500x260	670x450	224	410x96 / C	2	WSM7050260
800x600x210	770x550	192	510x96 / D	2	WSM8060210
800x600x260	770x550	224	510x96 / D	2	WSM8060260
800x600x300	770x550	282	510x96 / D	2	WSM8060300
800x800x210	770x750	192	2x310x96 / B	2	WSM8080210
800x800x300	770x750	282	2x310x96 / B	2	WSM8080300
1000x600x260	970x550	224	510x96 / D	3 pt.	WSM1006260
1000x600x300	970x550	282	510x96 / D	3 pt.	WSM1006300
1000x800x260	970x750	224	2x310x96 / B	3 pt.	WSM1008260
1000x800x300	970x750	282	2x310x96 / B	3 pt.	WSM1008300
1000x800x400	970x750	382	2x310x96 / B	3 pt.	WSM1008400
1200x600x300	1170x550	282	510x96 / D	3 pt.	WSM1206300
1200x800x300	1170x750	282	2x310x96 / B	3 pt.	WSM1208300
1200x800x400	1170x750	382	2x310x96 / B	3 pt.	WSM1208400
600x800x300	570x750	282	2x310x96 / B	3 pt.	WSM6080302
800x1200x300	770x1150	282	2x510x96 / D	3 pt.	WSM8012302
1000x1000x300	970x950	282	2x410x96 / C	3 pt.	WSM1010302
1200x1000x300	1170x950	282	2x410x96 / C	3 pt.	WSM1210302
1200x1200x300	1170x1150	282	2x510x96 / D	3 pt.	WSM1212302
1200x1200x400	1170x1150	382	2x510x96 / D	3 pt.	WSM1212402
1400x1000x300	1370x950	282	2x410x96 / C	3 pt.	WSM1410302
Wall-fastening flaps, galvanized					WSMWB004

# WALL-MOUNTING ENCLOSURES

## WSMIE WALL ENCLOSURES STANDARD PROFILE SYSTEM



WSMIE03025

### SCHRACK-INFO

- Inserts for mounting protective devices
- Complete with DIN rails
- For enclosures 150 mm in depth
- Material: 1.2 mm sheet steel in RAL 7035 powder structure coating

FOR EQUIPMENT CABINETS (HxW) mm	ROWS	MODULES	ORDER NO.
300x250	2	16	WSMIE03025
400x300	3	33	WSMIE04030
500x400	3	48	WSMIE05040
600x400	4	64	WSMIE06040
600x600	4	108	WSMIE06060
700x500	5	110	WSMIE07050
800x600	6	162	WSMIE08060

## WSM WALL ENCLOSURES GLAZED DOORS



WSMF3025AC

### SCHRACK-INFO

- Mounted in place of standard doors to enable unimpeded viewing of enclosure components
- All standard locks can be used
- Degree of protection matches IP 55
- 1,2 mm / 1,4 mm WSMF6060AC and above / 1,8 mm WSMF1060AC and above, 3 mm transparent acrylic glass RAL 7035

DIM. (HxW) mm	VIEWING AREA	ORDER NO.
300x250	159x93	WSMF3025AC
300x300	159x143	WSMF3030AC
400x300	259x143	WSMF4030AC
400x400	259x243	WSMF4040AC
500x400	359x243	WSMF5040AC
600x400	459x243	WSMF6040AC
600x400	459x343	WSMF6050AC
600x600	459x443	WSMF6060AC
700x500	550x343	WSMF7050AC
800x600	659x443	WSMF8060AC
1000x600	859x427	WSMF1060AC
1000x800	859x627	WSMF1080AC
1200x600	1059x427	WSMF1260AC
1200x800	1059x627	WSMF1280AC

# WALL-MOUNTING ENCLOSURES

## MINIPOL POLYESTER ENCLOSURES



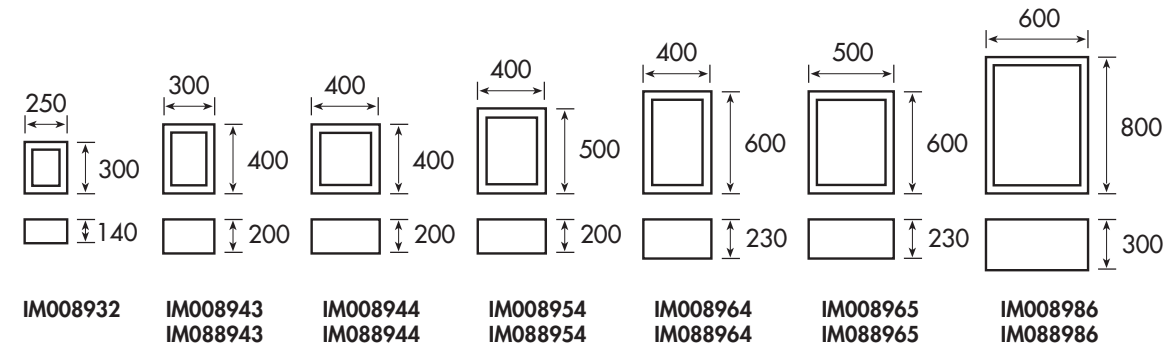
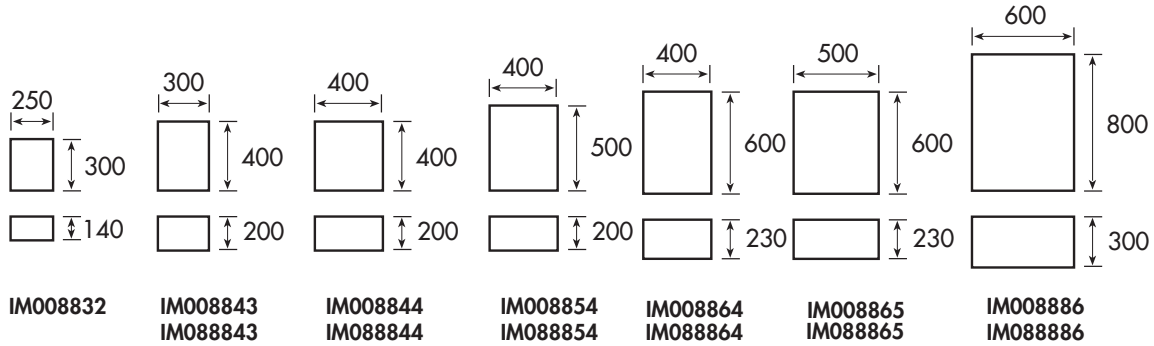
MINIPOL

### SCHRACK-INFO

- Hot pressed, fibreglass-reinforced polyester, colour grey RAL 7035
- Free of halogens
- Degree of protection IP 66 according to EN 60529
- Double insulated according to EN 60439-1
- Self-extinguishing
- Weather-resistant
- High shock resistance
- Water-resistant
- Temperature range: -50° C to 150° C
- With flaps for fastening to wall
- With swing handle w/o cylinder insert
- UV-resistant
- UL, CSA, NEMKO, LGAI and KEMA certified
- Many areas of use and combinations

VW = viewing window

3P = 3-point rod lock with swing handle w/o semicylinder insert (otherwise 2x double tongue fastener)



DESCRIPTION	DIM. (HxWxD) mm	ORDER NO.
<b>POLYESTER MINIPOL WALL ENCLOSURE</b>		
Pol. wall enclosure	300x250x140	IM008832
Pol. wall enclosure	400x300x200	IM008843
Pol. wall enclosure	400x400x200	IM008844
Pol. wall enclosure	500x400x200	IM008854
Pol. wall enclosure	600x400x230	IM008864
Pol. wall enclosure	600x500x230	IM008865
Pol. wall enclosure	800x600x300	IM008886
Pol. wall enclosure VW	300x250x140	IM008932
Pol. wall enclosure VW	400x300x200	IM008943
Pol. wall enclosure VW	400x400x200	IM008944
Pol. wall enclosure VW	500x400x200	IM008954
Pol. wall enclosure VW	600x400x230	IM008964
Pol. wall enclosure VW	600x500x230	IM008965
Pol. wall enclosure VW	800x600x300	IM008986

# WALL-MOUNTING ENCLOSURES

## MINIPOL POLYESTER ENCLOSURES – continued

DESCRIPTION	DIM. (HxWxD) mm	ORDER NO.
<b>POLYESTER MINIPOL WALL ENCLOSURE</b>		
Pol. wall enclosure 3P	400x300x200	IM088843
Pol. wall enclosure 3P	400x400x200	IM088844
Pol. wall enclosure 3P	500x400x200	IM088854
Pol. wall enclosure 3P	600x400x230	IM088864
Pol. wall enclosure 3P	600x500x230	IM088865
Pol. wall enclosure 3P	800x600x300	IM088886
Pol. wall enclosure 3P/VW	400x300x200	IM088943
Pol. wall enclosure 3P/VW	400x400x200	IM088944
Pol. wall enclosure 3P/VW	500x400x200	IM088954
Pol. wall enclosure 3P/VW	600x400x230	IM088964
Pol. wall enclosure 3P/VW	600x500x230	IM088965
Pol. wall enclosure 3P/VW	800x600x300	IM088986
Locking handle with small cylinder	-	IMPCM000
<b>POLYESTER MOUNTING PLATE</b>		
Polyester mounting plate, Minipol	268x216x4	IMMP0032
Polyester mounting plate, Minipol	358x260x4	IMMP0043
Polyester mounting plate, Minipol	358x360x4	IMMP0044
Polyester mounting plate, Minipol	458x360x4	IMMP0054
Polyester mounting plate, Minipol	558x360x4	IMMP0064
Polyester mounting plate, Minipol	558x460x4	IMMP0065
Polyester mounting plate, Minipol	754x556x4	IMMP0086
<b>METALL MOUNTING PLATE</b>		
Metal mounting plate, Minipol	268x216x2	IMMM0032
Metal mounting plate, Minipol	358x260x2	IMMM0043
Metal mounting plate, Minipol	358x360x2	IMMM0044
Metal mounting plate, Minipol	458x360x2	IMMM0054
Metal mounting plate, Minipol	558x360x2	IMMM0064
Metal mounting plate, Minipol	558x460x2	IMMM0065
Metal mounting plate, Minipol	754x556x2	IMMM0086
<b>INSTALLATION INSERT</b>		
Installation insert for 400x300 2x12 MW		IMCH0043
Installation insert for 400x400 2x18 MW		IMCH0044
Installation insert for 500x400 3x18 MW		IMCH0054
Installation insert for 600x400 3x18 MW		IMCH0064
Installation insert for 600x500 3x23 MW		IMCH0065
Installation insert for 800x600 4x29 MW		IMCH0086
Installation insert for 800x600 5x29 MW		IMCH0586
<b>MINIPOL INTERIOR DOORS</b>		
Interior doors 400 x 300		IMPI0043
Interior doors 400 x 400		IMPI0044
Interior doors 500 x 400		IMPI0043
Interior doors 600 x 400		IMPI0064
Interior doors 600 x 500		IMPI0065
Interior doors 800 x 600		IMPI0086

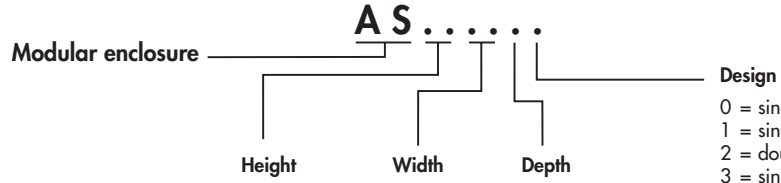
# FLOOR-STANDING ENCLOSURES

## AS MODULAR ENCLOSURES WITH MOUNTING PLATE

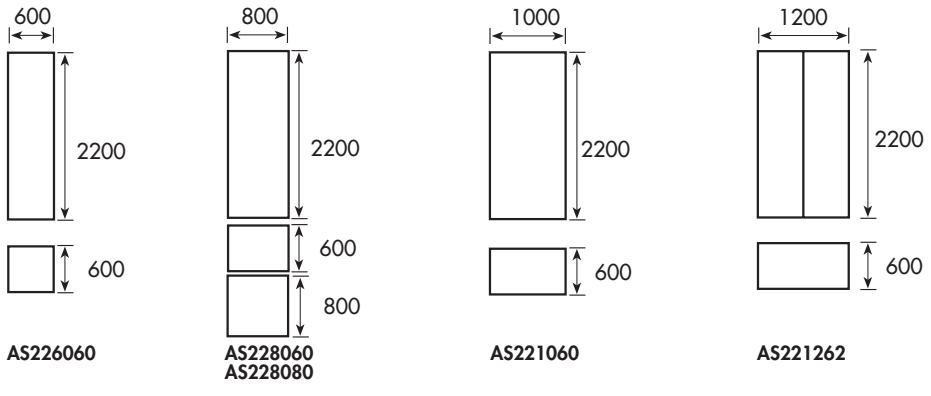
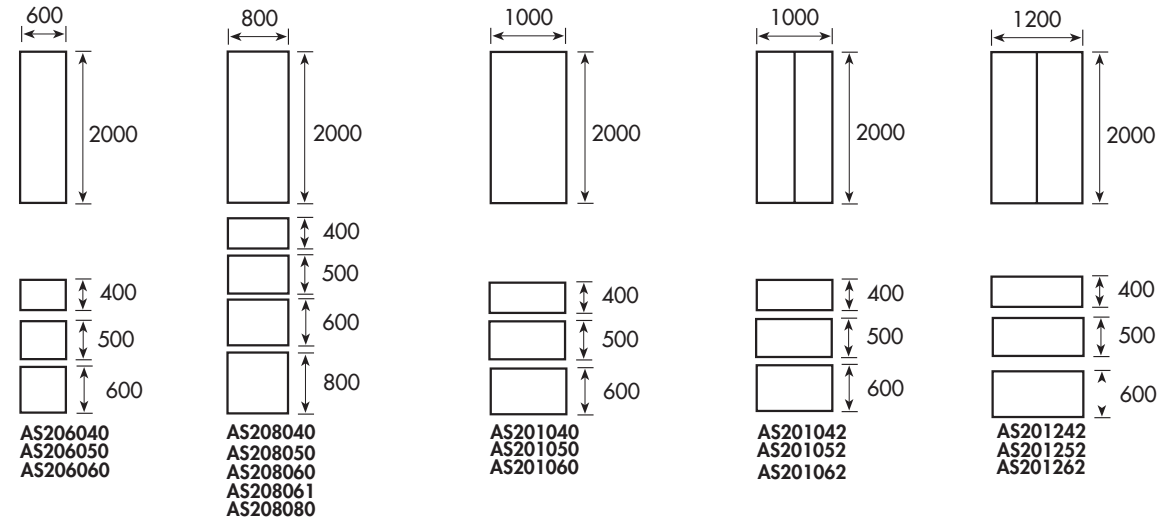
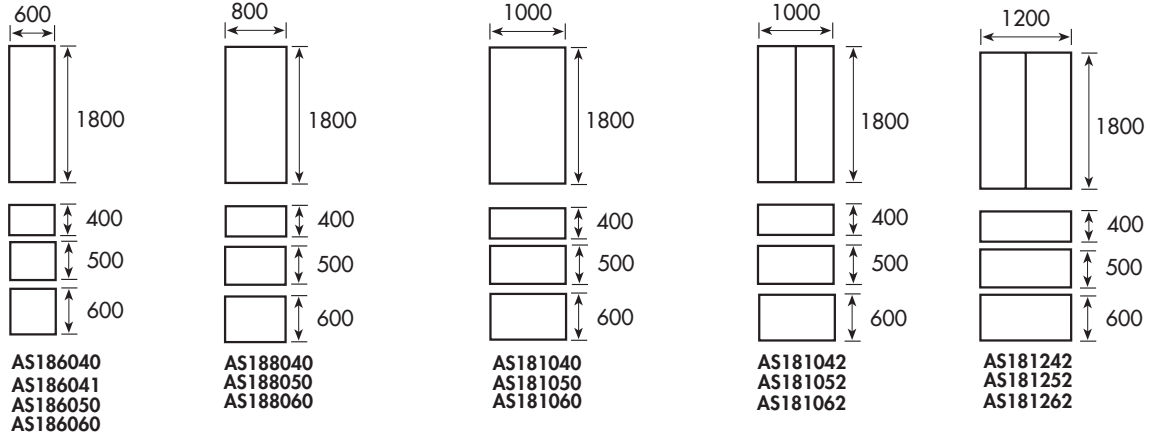


AS

### Type key



- 0 = single leaf, incl. mounting plate
- 1 = single leaf, w/o mounting plate
- 2 = double leaf, w/o. mounting plate
- 3 = single leaf w/ window AC



# FLOOR-STANDING ENCLOSURES

## AS MODULAR ENCLOSURES WITH MOUNTING PLATE – continued

### SCHRACK-INFO

- Material:
  - Frame: Sheet steel 1,75 mm
  - Doors: Sheet steel 2 mm
  - Rear panel: Sheet steel 1.5 mm
  - Roof: Sheet steel 1.5 mm
  - Mounting plate: Sheet steel, galvanised, 3 mm
- Frame: 8x bevelled and laser-welded profile with 25 mm hole matrix and cable entry in floor
- Doors: Hinges can be attached on left or right, reinforced frame
- Rear panel: Removable. Can be replaced with rear doors
- Lock: Self-positioning 4 point rod lock for single doors and 3 point rod lock for double doors
- Comes as standard with swing handle lock with 5mm double-bit insert, replaceable
- Mounting plate: Double-bevelled, depth can be adjusted at 25 mm intervals
- Surface: powder-coated RAL 7035
- Degree of protection: IP 56 / NEMA 4 for single door-, IP 55 / NEMA 12 for double door models
- Included in delivery: Housing with doors with swing handle insert, 5mm double-bit insert, removable roof, cable entry plates, rear panel and mounting plate and earthing studs, keys and assembly instructions

DIM. (HxVxD) mm	ORDER NO.
<b>SINGLE DOOR</b>	
1800x600x400	AS186040
1800x600x500	AS186050
1800x600x600	AS186060
1800x800x400	AS188040
1800x800x500	AS188050
1800x800x600	AS188060
1800x1000x400	AS181040
1800x1000x500	AS181050
1800x1000x600	AS181060
2000x600x400	AS206040
2000x600x500	AS206050
2000x600x600	AS206060
2000x800x400	AS208040
2000x800x500	AS208050
2000x800x600	AS208060
2000x800x800	AS208080
2000x1000x400	AS201040
2000x1000x500	AS201050
2000x1000x600	AS201060
2200x600x600	AS226060
2200x800x600	AS228060
2200x800x800	AS228080
2200x1000x600	AS221060

## FLOOR-STANDING ENCLOSURES

### AS MODULAR ENCLOSURES WITH MOUNTING PLATE – continued

DIM. (HxWxD) mm	ORDER NO.
<b>DOUBLE DOOR</b>	
1800x1000x400	AS181042
1800x1000x500	AS181052
1800x1000x600	AS181062
1800x1200x400	AS181242
1800x1200x500	AS181252
1800x1200x600	AS181262
2000x1000x400	AS201042
2000x1000x500	AS201052
2000x1000x600	AS201062
2000x1600x400	AS201642
2000x1200x400	AS201242
2000x1200x500	AS201252
2000x1200x600	AS201262
2200x1000x600	AS221062
2200x1200x600	AS221262

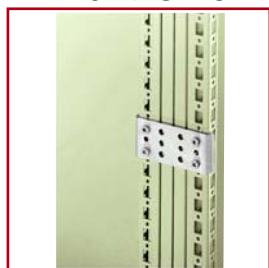
### AS MODULAR ENCLOSURES SIDE PANELS

#### SCHRACK-INFO

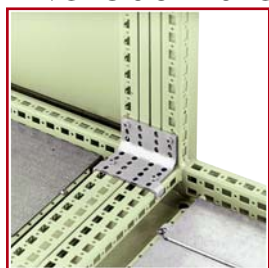
- Each unit comes as sold with 2 side panels

DIM. (DxH) mm	ORDER NO.
1800x400	ASSW1804
1800x500	ASSW1805
1800x600	ASSW1806
2000x400	ASSW2004
2000x500	ASSW2005
2000x600	ASSW2006
2000x800	ASSW2008
2200x600	ASSW2206
2200x800	ASSW2208

### AS MODULAR ENCLOSURES CONNECTION KITS



ASCCI060



ASSCM040

#### SCHRACK-INFO

- Connecting angle for aligning AS enclosures next to one another
- Material: 3 mm galvanized steel, incl. fixing material

DESCRIPTION	ORDER NO.
Connection set, encl. with partition (set=12 pcs.)	ASCCJ120
Interior corner connector (set=4 pcs.)	ASSCM040
Connecting flap, vertical profile (set=6 pcs.)	ASCCI060

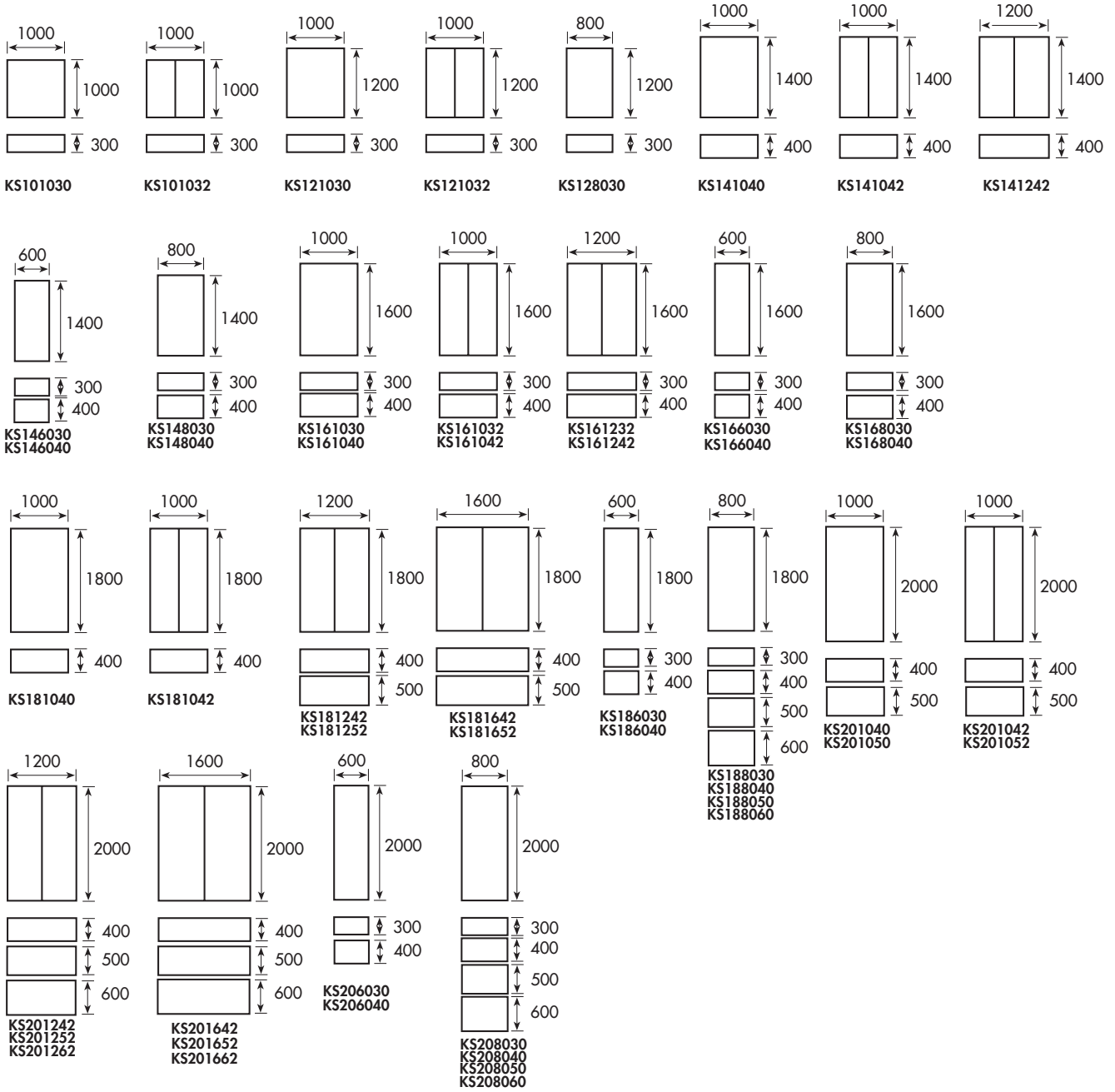
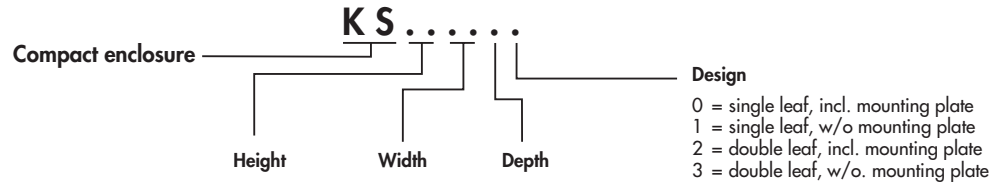
# FLOOR-STANDING ENCLOSURES

## KS FLOOR-MOUNTED ENCLOSURES WITH MOUNTING PLATE



KS

### Type key



## FLOOR-STANDING ENCLOSURES

### KS FLOOR-MOUNTED ENCLOSURES WITH MOUNTING PLATE – continued

#### SCHRACK-INFO

- Material:
  - Frame: Sheet steel 1.5 mm
  - Doors: Sheet steel 2 mm
  - Rear panel: Sheet steel 1.5 mm
  - Roof: Sheet steel 1.5 mm
  - Mounting plate: Sheet steel, galvanized 3 mm
  - Frame: Rounded profile, seam-welded
  - Doors: Hinges can be attached on left or right, reinforced frame
  - Rear panel: Removable
  - Lock: Self-positioning 4 point rod lock for single doors and 3 point rod lock for double doors
- 5 mm double-bit insert comes as standard
- Mounting plate: Double-folded profile. Depth can be adjusted in 25 mm steps. Enclosures 1600 mm in width are supplied with two mounting plates.
- Surface: powder-coated RAL 7035
- Degree of protection: single door: IP 66 / NEMA 4  
double door: IP 55 / NEMA 12
- Included in delivery: Enclosure with pre-fitted doors with 5 mm semicylinder two-way lock and reinforced profiles, roof, cable entry plates, rear panel and mounting plate, earthing bolts, keys and assembly instructions

DIM. (HxWxD) mm	ORDER NO
1400x600x300	KS146030
1400x600x400	KS146040
1600x600x400	KS166040
1600x800x300	KS168030
1600x800x400	KS168040
1600x1000x300	KS161030
1600x1000x400	KS161040
1600x1000x400	KS161042
1600x1200x400	KS161242
1800x600x400	KS186040
1800x800x300	KS188030
1800x800x400	KS188040
1800x800x500	KS188050
1800x1000x400	KS181040
1800x1000x400	KS181042
1800x1200x400	KS181242
1800x1600x400	KS181642
2000x600x400	KS206040
2000x800x300	KS208030
2000x800x400	KS208040
2000x800x500	KS208050
2000x1000x400	KS201040
2000x1000x400	KS201042
2000x1200x400	KS201242
2000x1600x400	KS201642

# FLOOR-STANDING ENCLOSURES

## WIDTH SECTION FOR PLINTH



ASSOB

### SCHRACK-INFO

- Width sections for standard bases
- Allows cable to be installed between enclosure rows free of obstruction. Meets VDE 0133 standard, secured through use of 4 corner pieces
- The width sections have no actual bearing function. Instead they keep cables from sight, even though their double-bevelled construction means they are very rigid.
- The corner parts are equipped with plastic covers which offer external access to mounting screws
- 200 mm height models have a simple plate for the front, a split plate for the rear - Cables can be managed from the rear by omitting a half
- Material: Corner sections 2.5 mm galvanized steel, closed at ends, base plates 2 mm steel, powder-coated according to RAL 7022
- Each package contains: 4x corner sections, 2x width sections incl. fixing material

DESCRIPTION	DIM. (WxH) mm	ORDER NO.
Width section for plinth 400/100	400x100	ASSOB041
Width section for plinth 600/100	600x100	ASSOB061
Width section for plinth 800/100	800x100	ASSOB081
Width section for plinth 1000/100	1000x100	ASSOB101
Width section for plinth 1200/100	1200x100	ASSOB121
Width section for plinth 400/200	400x200	ASSOB042
Width section for plinth 600/200	600x200	ASSOB062
Width section for plinth 800/200	800x200	ASSOB082
Width section for plinth 1000/200	1000x200	ASSOB102
Width section for plinth 1200/200	1200x200	ASSOB122

## DEPTH SECTION FOR PLINTH



ASSOT

### SCHRACK-INFO

- Depth sections for standard bases, especially rigid structure due to its double-bevelled construction
- Material: 2 mm steel, powder-coated accord. to RAL 7022
- Each package contains 2 pieces incl. fixing material

DESCRIPTION	DIM. (DxH) mm	ORDER NO.
Depth section for plinth 300/100	300x100	ASSOT031
Depth section for plinth 400/100	400x100	ASSOT041
Depth section for plinth 500/100	500x100	ASSOT051
Depth section for plinth 600/100	600x100	ASSOT061
Depth section for plinth 800/100	800x100	ASSOT081
Depth section for plinth 300/200	300x200	ASSOT032
Depth section for plinth 400/200	400x200	ASSOT042
Depth section for plinth 500/200	500x200	ASSOT052
Depth section for plinth 600/200	600x200	ASSOT062
Depth section for plinth 800/200	800x200	ASSOT082

# MODUL 4000TT – TYPE TESTED ENCLOSURES

## ■ MULTI COMBINATION OF FUNCTIONAL AREAS AND BUSBAR ACCORDING TO IEC/EN 60439

### ■ SCHRACK-INFO

Product Features:

- IEC/EN 60439-1 type-tested assembly
- TTA, PTTA, form 2b to form 4b
- TTCalc software for easy configuration, partlist and all projections plans
- Fully type-tested assemblies (TTA)

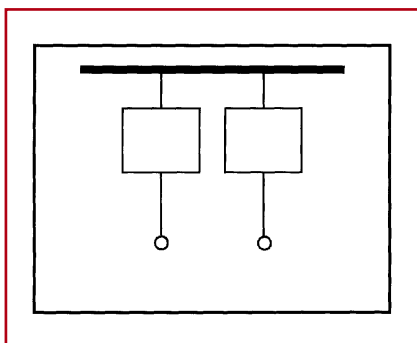


## ■ MODUL 4000 TT AVAILABLE IN FORM 1, 2B OR 4B ONCE TYPE TESTED IEC/EN 60439-1

This system enables a high density by 38 x 50 mm fixed modules per one selection. Partlist automatically calculate by SCHRACK TTCALC.

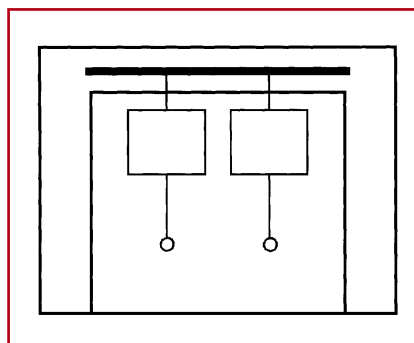
### FORM 1

No partition.



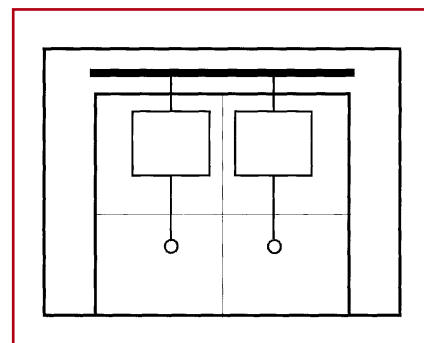
### FORM 2b

Separation of busbar from functional unit. Partition between busbar and unit.



### FORM 4b

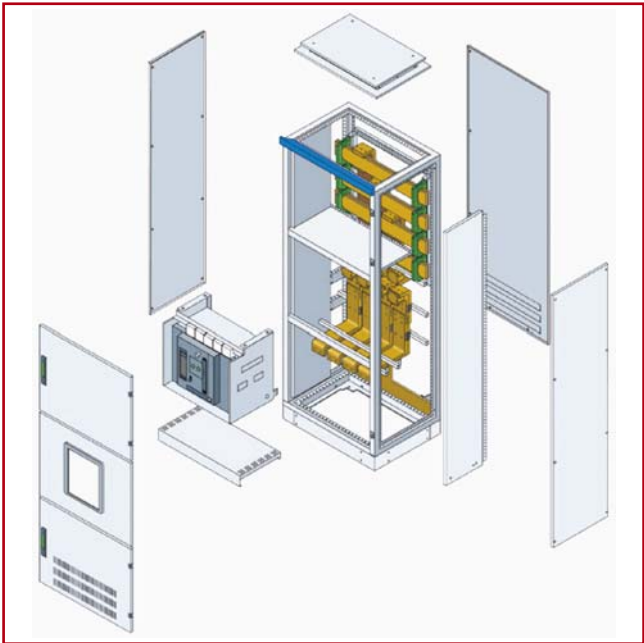
Separation of busbar from functional unit. Separation of functional unit from another. Separation of terminals associated with functional and other units.



# MODUL 4000TT – TYPE TESTED ENCLOSURES

Page  
**22**

## MODUL 4000 TT PHILOSOPHY – SCHRACK COMPONENTS WILL BE COMBINED TO FORM ONE TECHNICAL AND ECONOMIC UNIT



- Clear and symmetrical construction with one circuit breaker per section reduces the variety of busbars and the assembly time
- Partitions up to form 4 increase protection of persons and boards
- Functionally packed in elements and delivered as flat pack
- High flexibility in the power connection through three alternatives: Cable connection, cable lugs or busbar trunking connectors

## DECLARATION OF CONFORMITY FOR THE MODUL 4000 TT MODULE SYSTEM



- MODUL 4000 TT has passed the type tests TTA acc. to IEC/EN 60439-1
- SCHRACK confirms this to the panel builder with the declaration of conformity for the MODUL 4000 TT module system

## HOW TO ORDER

- Ask us for the design software.

DESCRIPTION	ORDER NO.
Modul 4000TT	on request

# ENCLOSURE ACCESORIES

## EQUIPMENT CABINET HEATING SYSTEMS



HEATING SYSTEMS

### SCHRACK-INFO

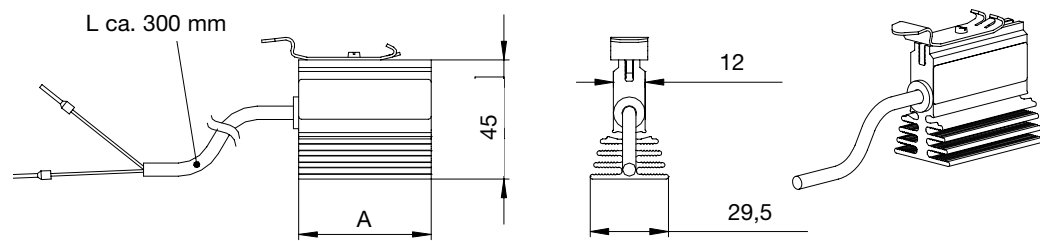
- Voltage range AC/DC 110 V - 250 V
- Self-regulating, PTC
- Self-limiting surface temperature
- Reduced energy consumption through power readjustment in accordance with dissipated heat
- No noise suppression required
- Dynamic heating behaviour
- Tropic-proof
- IP20
- Anodized surface, large effective heating surface, natural convection
- Can be mounted at different heights according to needs
- Fastening clips can be rotated 90° for top-hat mounting
- VDE, SEV, UL approved
- Protection class I
- 3 connector model
- Terminal connection

CONTINUOUS HEAT OUTPUT/SURFACE TEMPERATURE	DIM. (WxHxD) mm	ORDER NO.
15 W/65° C	65x70x50	IUK08346
30 W/90° C	65x70x50	IUK08341
45 W/105° C	65x70x50	IUK08342
60 W/105° C	140x70x50	IUK08343
100 W/130° C	140x70x50	IUK08344
150 W/150° C	215x70x50	IUK08345
250 W/75° C	186,5x85x104	IUK08250
400 W/85° C	223,5x85x104	IUK08400

## SMALL HEATERS



IUK08353



### SCHRACK-INFO

- Voltage range AC/DC 110 - 250 V, max. 265 V
- Heating element: (PTC) thermistor, self-regulating
- Heating unit: Anodized aluminium profile
- Protection class II, IP54
- Connecting lead: Silicon cable 0,3 m long 2 x 0,75 mm<sup>2</sup>
- Fastenings: Clip for 35 mm DIN rail EN 60715

CONTINUOUS HEAT OUTPUT	DIM. (WxHxD) mm	ORDER NO.
20 W	75x45x29	IUK08352
30 W	75x45x29	IUK08353
10 W + cable 1 m	50x45x29	IUK08351

## ENCLOSURE ACCESSORIES

### ■ LIGHTS FOR EQUIPMENT CABINETS



IU008508



IU008513

### ■ SCHRACK-INFO

IU008508, IU008513, IU008509

- Operating voltage: 230V, 50-60Hz with on/offswitch for lamp
- Output: 11 W (~ 75 W bulb)
- Light intensity: 900 lm
- Service life: 5000 h
- RI suppression: meets VDE 0712 IEC 82
- Degree of protection: IP 20
- Plug connection: 230 V AC, 16 A earthed
- Connection: Terminal 3 x 2,5 mm<sup>2</sup> with cable relief
- Magnetic fastener: approx. 20 kg for 2 mm steel plates
- Housing: Plastic, shock-resistant, UL 94 V0

### ■ SCHRACK-INFO IU008515 - IU008517

- Operating voltage: 220 - 240V/ 50-60Hz
- Lamp: Energy-saving lamp, base E27
- Power consumption: 20 W (~ 100 W bulb)
- Light intensity: 1000 lm
- Light colour: Daylight, white
- Service life: 10.000 hours
- Housing: Plastic, shock-proof
- Degree of protection: IP 20
- Protection class: II

DESCRIPTION	DIM. (WxHxD) mm	ORDER NO.
Compact light with magnetic fastening/with earthed plug	65x351x62	IU008508
Compact light with pin-earth/CH	65x351x62	IU008513
Dual light with one-off press switch/6-pole screw terminal 2,5 mm <sup>2</sup> for mains connection, 2 lamps in parallel output and external door contact switches	396x100x67	IU008515
Hand lamp with light holder and hook/mains lead and plug	337x84x68	IU008517

### ■ THERMOSTATS AND HUMIDISTATS



IUK08561



IUK08562



IUK08563

DESCRIPTION	DIM. (WxHxD) mm	ORDER NO.
Thermostat 10 - 60° C, th.comp. 0.5K, 1 U	67x50x37	IUK08561
Humidistat 50 - 100% rF, 1 U	67x50x37	IUK08562
Twin Thermostat	81x60x38	IUK08563
Hygrostat - Thermostat 0 - 60° C, 40-90% rF, 1 U - 8 A (AC240)	81x60x38	IUK08564
Heating thermostat N/C switch, red (UL)	60x33x35	IUK08565
Ventilation thermostat N/O switch, blue (UL)	60x33x35	IUK08566

## ENCLOSURE ACCESORIES

## POCKET FOR A4 CIRCUIT DIAGRAMS



ASDRA400

## SCHRACK-INFO

- Self-adhesive pocket for circuit diagrams in DIN A4 format
- Up to depth: 30 mm
- Colour grey
- Material: Thermoplastic
- Each package contains 1x incl. fixing material

DESCRIPTION	DIM. (WxHxD) mm	ORDER NO.
Pocket for A4 circuit diagram	230x220x30	ASDRA400

## FAN WITH FILTER, QUICK-FASTENING



IUKNF4523A

## SCHRACK-INFO

- Easy, screw-free mounting
- Quick-fastening, click in
- Voltage 230V, 50-60Hz
- Plastic heat resistance (-15° C bis +55° C), self-extinguishing according to UL 94 V0
- Flat design: Dimensions of cover grille max. 6,5 mm
- Certifications: UL, CSA
- Degree of protection IP 54 (EN 60529)
- Toolless fixing
- RAL 7035

CURRENT CONSUMPTION/CAPACITY WITH FILTERMAT	DIM. (WxHxD) mm	CUTOUT	ORDER NO.
12 W/16 m <sup>3</sup> /h, Filtervent.IP54 230V	109x109x62	92x92	IUKNF1523A
19 W/44 m <sup>3</sup> /h, Filtervent.IP54 230V	145x145x70	125x125	IUKNF2523A
19 W/82 m <sup>3</sup> /h, Filtervent.IP54 230V	202x202x87	177x177	IUKNF3523A
41 W/116 m <sup>3</sup> /h, Filtervent.IP54 230V	252x252x97	223x223	IUKNF4523A
41 W/231 m <sup>3</sup> /h, Filtervent.IP54 230V	252x252x113	223x223	IUKNF5523A
66 W/370 m <sup>3</sup> /h, Filtervent.IP54 230V	320x320x150	291x291	IUKNF6523A
115 W/445 m <sup>3</sup> /h, Filtervent.IP54 230V	320x320x150	291x291	IUKNF7523A
135 W/560 m <sup>3</sup> /h, Filtervent.IP54 230V	320x320x150	291x291	IUKNF8523A

## ACCESSORIES FOR FAN WITH FILTER, QUICK-FASTENING

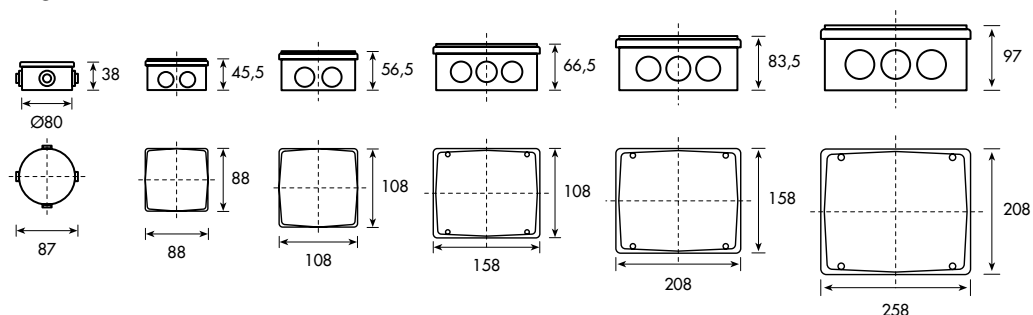
DESCRIPTION	DIM. (WxHxD)	CUTOUT	ORDER NO.
Exhaugd Filter IP54 150	109x109x19	92x92	IUKNE150
Exhaugd Filter IP54 250	145x145x26	125x125	IUKNE250
Exhaugd Filter IP54 350	202x202x34	177x177	IUKNE350
Exhaugd Filter IP54 450	252x252x38	223x223	IUKNE450
Exhaugd Filter IP54 550	320x320x39	291x291	IUKNE550

# BRANCH ENCLOSURES

## TERMINAL BOXES



IG311511

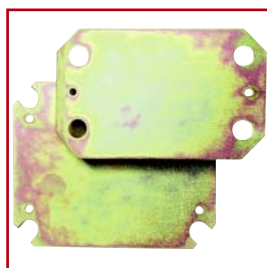


## SCHRACK-INFO

- Material: Polycarbonate, self-extinguishing
- Embossed openings on all sides
- Colour: RAL 7035
- Degree of protection: IP 55 (IEC-529)
- Diagonal fins allows for a variety of devices with tapping screws

DESCRIPTION	DIM. (WxHxD) mm	ORDER NO.
Branch socket, round	80x40	IG310008
Branch socket	80x80x40	IG310808
Branch socket	100x100x50	IG311010
Branch socket	150x110x70	IG311511
Branch enclosure	208x158x83,5	IG302015
Branch enclosure	258x208x97	IG302520
Branch socket	150x 75x50	IG311275
Branch socket	190x145x70	IG311914
Branch socket	240x190x110	IG312419
Enclosure	175x175x100	IG702023
Enclosure	242x175x100	IG702024
Terminal box	120x122x65	IG704008
Terminal box	80x82x65	IG704032
Terminal box	80x160x65	IG704036
Terminal box	160x240x90	IG704045
Spacer screw for mounting set	M6/H15	IG713027

## MOUNTING PLATES FOR TERMINAL BOXES



IG390012

DESCRIPTION	FOR BRANCH	DIM. (WxHxD) mm	ORDER NO.
MP-fastening screws included		184x136x2	IG390012
MP-fastening screws included		234x184x2	IG390013
MP-fastening screws included		98x98x1,5	IG702054
MP-fastening screws included		148x148x1,5	IG702056
MP-fastening screws included		232x148x1,5	IG702057

## CABLE ENTRIES FOR TERMINAL BOXES

DESCRIPTION	DIM. (WxHxD) mm	ORDER NO.
PG 9-PG 11	Ø 25x13	IG390001
PG 9-PG 16	Ø 33x20	IG390002
PG 9-PG 21	Ø 43x22	IG390003
PG 21-PG 48	Ø 70x20	IG390004
PG 21-PG 48	Ø 98x23	IG390005

# BRITISH STANDARD DISTRIBUTION BOARDS

## BS PLASTIC CONSUMER UNITS WITH METALL DIN-RAIL



### SCHRACK-INFO

- According to IEC/EN 60439-3
- Degree of protection IP 40
- Protection class I
- Available in 4, 8, 12, 14 and 20 modules
- Material:
 

Base:	Polystyrene RAL 9010
Pan Assembly:	Polyamide
Terminal Support:	Polyamide
Cover:	Polystyrene RAL 9010
Door:	Polystyrene RAL 9010
Busbar:	Copper 2 mm

OUTGOING WAYS	MODULES	ISOLATOR 100 A MAIN SWITCH	RCD 40 A/30 mA	RCD 63 A/30 mA	RCD 80 A/30 mA	ORDER NO.
<b>2 POLE 100 A MAIN SWITCH CONTROLLED</b>						
2	4	BZ900202	-	-	-	BKCU0210
6	8	BZ900202	-	-	-	BKCU0610
10	12	BZ900202	-	-	-	BKCU1010
12	14	BZ900202	-	-	-	BKCU1210
18	20	BZ900202	-	-	-	BKCU1810
<b>2 POLE RCD CONTROLLED</b>						
2	4	-	BC604203	-	-	BKCU0204
2	8	-	-	BC606203	-	BKCU0206
6	12	-	-	BC606203	-	BKCU0606
10	14	-	-	-	BC008203	BKCU1008
12	20	-	-	-	BC008203	BKCU1208
18	20	-	-	-	BC008203	BKCU1808
<b>SPLIT LOAD - 2 POLE RCD / 100 A MAIN SWITCH CONTROLLED</b>						
8	4	BZ900202	-	BC006203	-	BKCU0816
10	8	BZ900202	-	BC006203	-	BKCU1016
8	12	BZ900202	-	-	BC038203	BKCU0818
10	14	BZ900202	-	-	BC038203	BKCU1018
16	20	BZ900202	-	-	BC038203	BKCU1618

# BRITISH STANDARD DISTRIBUTION BOARDS

## ■ SINGLE PHASE DISTRIBUTION BOARDS



ILCU1000WM



ILCU1000WT

### ■ SCHRACK-INFO

- According to IEC/EN 60439-3
- Available in 5, 8, 10, 14 and 18 outgoing ways
- Fully shrouded busbar made of tinned copper, rated 100 A
- Neutral and earth terminal
- Flush- and wall-mounting versions
- With metall door or transparent lid
- Incomer devices: 2P Isolator, 2P RCCB
- Outgoing devices: MCBs and 1-module RCBOs

OUTGOING WAYS	MODULES	DIM. (WxHxD) mm	ORDER NO.
<b>FLUSH-MOUNTING WITH METALL DOOR</b>			
5	7	230x240x95	ILCU0500FM
8	10	285x240x95	ILCU0800FM
10	12	320x240x95	ILCU1000FM
14	16	390x240x95	ILCU1400FM
18	20	460x240x95	ILCU1800FM
<b>WALL-MOUNTING WITH METALL DOOR</b>			
5	7	210x223x95	ILCU0500WM
8	10	265x223x95	ILCU0800WM
10	12	300x223x95	ILCU1000WM
14	16	370x223x95	ILCU1400WM
18	20	440x223x95	ILCU1800WM
<b>FLUSH-MOUNTING WITH TRANSPARENT LID</b>			
5	7	230x240x95	ILCU0500FT
8	10	285x240x95	ILCU0800FT
10	12	320x240x95	ILCU1000FT
14	16	390x240x95	ILCU1400FT
18	20	460x240x95	ILCU1800FT
<b>WALL-MOUNTING WITH TRANSPARENT LID</b>			
5	7	210x223x95	ILCU0500WT
8	10	265x223x95	ILCU0800WT
10	12	300x223x95	ILCU1000WT
14	16	370x223x95	ILCU1400WT
18	20	440x223x95	ILCU1800WT

# BRITISH STANDARD DISTRIBUTION BOARDS

## TPN DISTRIBUTION BOARDS



ILDB0600FM

### SCHRACK-INFO

- Available in 4, 6, 8, 12, 16 18 and 24 TPN ways
- Reversible door. Can be mounted to open from left to right or vice – a – verse
- Enclosures have an ingress protection rating of IP 40 and comply with BS EN 60439-3
- Additional bolt-on extension box and incoming spreader box
- Busbar system rated to 200A
- One piece copper busbar to eliminate potential hot spots
- Shrouded busbar for increased safety
- Neutral & Earth terminals provided on both sides
- Compact pan assembly providing generous wiring space
- Removable pan assemblies with key hole fixings to easy installation
- Easy fit, DIN-rail mounting, incoming and outgoing devices simply slot into place
- Combination incomer possible. TP main switch, four pole RCD and MCCB c/w Spreader box
- Heavy gauge removable gland plates are provided at the top and bottom with knockouts
- Generous cabling space
- Flush mounting and surface mounting options available

### TECHNICAL DATA

- Applicable Standard: BS EN 60439-3
- Number of TPN ways: 4, 6, 8, 12, 16, 18 and 24
- Busbar Nominal Rating: 200 A
- Rated Voltage: 415V AC, 50/60 Hz
- Maximum Incomer Rating: 200 A
- Maximum Outgoing Device: SP/TP-125 A SP/TP  
63 A (only in extensionbox)
- Incomer Devices: 3P/4P Isolator, 4P RCD, 3P/4P MCB or TP Isolator + 4P RCD, 200 A MCCB
- Outgoing Devices: SP and TP MCB, RCBo's

OUTGOING WAYS	DIM. (WxHxD) mm	ORDER NO.
<b>FLUSH MOUNTING VERSION</b>		
4 way TPN	420x519x106,2	ILDB0400FM
6 way TPN	420x574x106,2	ILDB0600FM
8 way TPN	420x629x106,2	ILDB0800FM
12 way TPN	420x739x106,2	ILDB1200FM
16 way TPN	420x849x106,2	ILDB1600FM
24 way TPN	420x904x106,2	ILDB1800FM
<b>WALL MOUNTING VERSION</b>		
4 way TPN	400x499x106,2	ILDB0400WM
6 way TPN	400x554x106,2	ILDB0600WM
8 way TPN	400x609x106,2	ILDB0800WM
12 way TPN	400x719x106,2	ILDB1200WM
16 way TPN	400x774x106,2	ILDB1600WM
18 way TPN	400x829x106,2	ILDB1800WM
24 way TPN	400x884x106,2	ILDB2400WM

# BRITISH STANDARD DISTRIBUTION BOARDS

## EXTENSION BOX



ILDIN016WM

### SCHRACK-INFO

- Reversible door. Can be mounted to open from left to right or vice – a – verse
- Enclosures have an ingress protection rating of IP 40 and comply with BS EN 60439-3
- Additional bolt-on extension box and incoming spreader box

Page  
30

DESCRIPTION	ORDER NO.
16 way SP	ILDIN016WM

## MCCB INCOMING SPREADER BOX



ILMCCB20WM

### SCHRACK-INFO

- Reversible door. Can be mounted to open from left to right or vice – a – verse
- Enclosures have an ingress protection rating of IP 40 and comply with BS EN 60439-3
- Additional bolt-on extension box and incoming spreader box

DESCRIPTION	ORDER NO.
200 A TP	ILMCCB20WM

## PAN ASSEMBLIES



BS99012ME

### SCHRACK-INFO

- Busbar system rated to 200A
- One piece copper busbar to eliminate potential hot spots
- Shrouded busbar for increased safety
- Neutral & Earth terminals provided on both sides
- Combination incomer possible. TP main switch, four pole RCD and MCCB c/w Spreader box
- Easy fit, DIN-rail mounting, incoming and outgoing devices simply slot into place

DESCRIPTION	ORDER NO.
4 way TPN	BS990004ME
6 way TPN	BS990006ME
8 way TPN	BS990008ME
12 way TPN	BS990012ME
16 way TPN	BS990016ME
18 way TPN	BS990018ME
24 way TPN	BS990024ME

# SUBMAIN DISTRIBUTION BOARDS

## ■ DISTRIBUTION BOARDS WITHOUT INCOMER AND OUTGOING MCCB'S



### ■ SCHRACK-INFO

- Busbar rating options for 250A, 400A and 630A
- Incoming MCCB's or switch disconnectors from 160A to 630A
- Outgoing ways from 20A to 300A, 3 pole
- High quality steel-plate enclosures to IP40
- Metering available on request

NO OF WAYS	BUSBAR RATING	INCOMER MCCB's	OUTGOING MCCB's	DIM. (WxHxD) mm	ORDER NO.
<b>DISTRIBUTION BOARDS 250A</b>					
4	250A	MC2 up to 250A	BZM1 up to 125A	650x800x174	ILMC0420WM
6	250A	MC2 up to 250A	BZM1 up to 125A	650x890x174	ILMC0620WM
8	250A	MC2 up to 250A	BZM1 up to 125A	650x980x174	ILMC0820WM
10	250A	MC2 up to 250A	BZM1 up to 125A	650x1070x174	ILMC1020WM
12	250A	MC2 up to 250A	BZM1 up to 125A	650x1160x174	ILMC1220WM
14	250A	MC2 up to 250A	BZM1 up to 125A	650x1250x174	ILMC1420WM
16	250A	MC2 up to 250A	BZM1 up to 125A	650x1340x174	ILMC1620WM
4	250A	MC2 up to 250A	MC1 up to 160A	650x800x174	ILMC0421WM
6	250A	MC2 up to 250A	MC1 up to 160A	650x890x174	ILMC0621WM
8	250A	MC2 up to 250A	MC1 up to 160A	650x980x174	ILMC0821WM
10	250A	MC2 up to 250A	MC1 up to 160A	650x1070x174	ILMC1021WM
12	250A	MC2 up to 250A	MC1 up to 160A	650x1160x174	ILMC1221WM
14	250A	MC2 up to 250A	MC1 up to 160A	650x1250x174	ILMC1421WM
16	250A	MC2 up to 250A	MC1 up to 160A	650x1340x174	ILMC1621WM
<b>DISTRIBUTION BOARDS 400A</b>					
4	400A	MC3 up to 400A	MC2 up to 300A	750x1025x174	ILMC0442WM
6	400A	MC3 up to 400A	MC2 up to 300A	750x1130x174	ILMC0642WM
8	400A	MC3 up to 400A	MC2 up to 300A	750x1235x174	ILMC0842WM
10	400A	MC3 up to 400A	MC2 up to 300A	750x1340x174	ILMC1042WM
12	400A	MC3 up to 400A	MC2 up to 300A	750x1445x174	ILMC1242WM
14	400A	MC3 up to 400A	MC2 up to 300A	750x1550x174	ILMC1442WM
16	400A	MC3 up to 400A	MC2 up to 300A	750x1655x174	ILMC1642WM
<b>DISTRIBUTION BOARDS 630A</b>					
4	630A	MC3 up to 630A	MC2 up to 300A	750x1025x174	ILMC0462WM
6	630A	MC3 up to 630A	MC2 up to 300A	750x1130x174	ILMC0662WM
8	630A	MC3 up to 630A	MC2 up to 300A	750x1235x174	ILMC0862WM
10	630A	MC3 up to 630A	MC2 up to 300A	750x1340x174	ILMC1062WM
12	630A	MC3 up to 630A	MC2 up to 300A	750x1445x174	ILMC1262WM
14	630A	MC3 up to 630A	MC2 up to 300A	750x1550x174	ILMC1462WM
16	630A	MC3 up to 630A	MC2 up to 300A	750x1655x174	ILMC1662WM

# PROTECTIVE DEVICES

## TOP-TECHNIC



## TOP-TECHNIC



## TOP-TECHNIC



## TOP-TECHNIC



## TOP-TECHNIC



## TOP-TECHNIC

